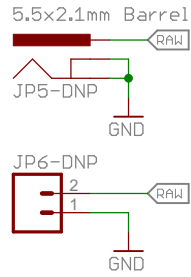
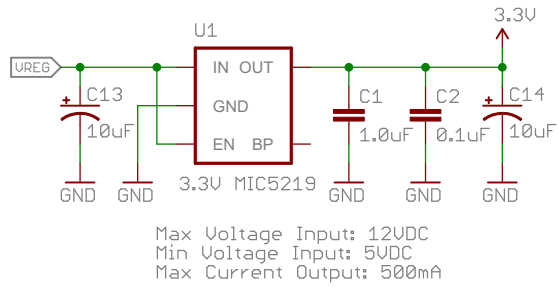
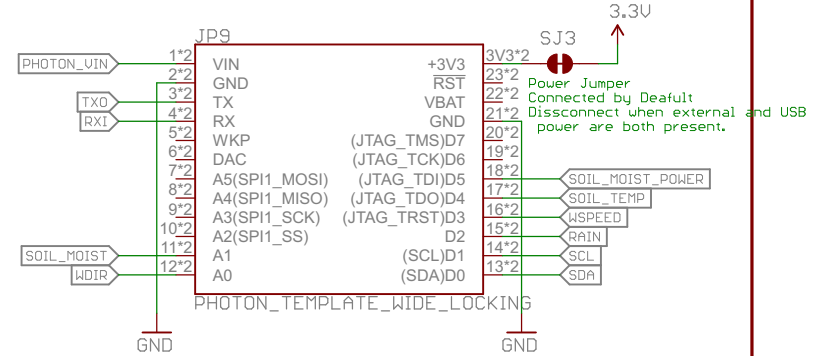


## Power

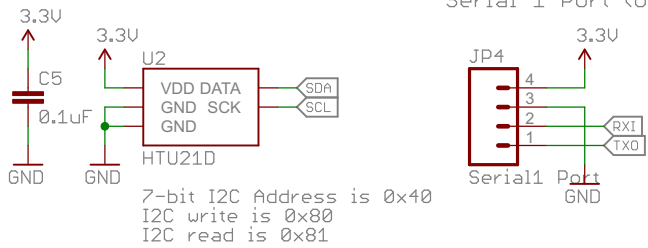


## Photon Footprint

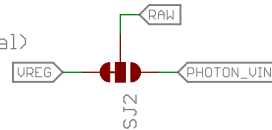


## Sensors

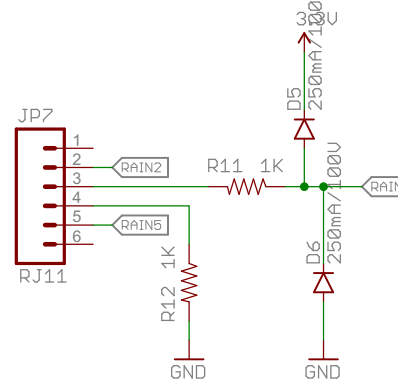
### Humidity & Temperature



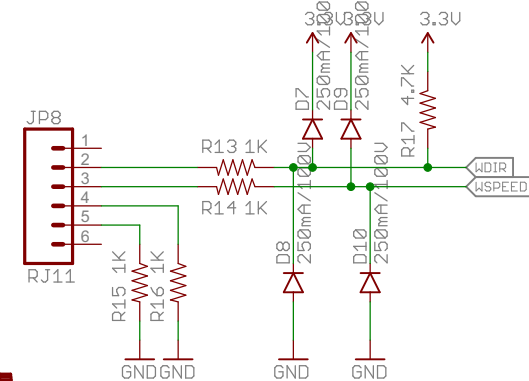
### Serial 1 Port (optional)



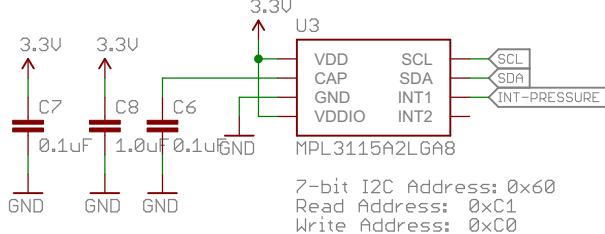
### Rain (optional)



### Wind (optional)

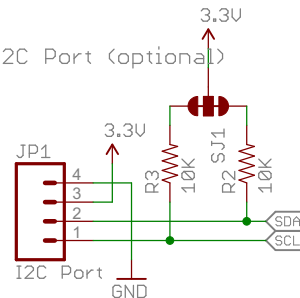
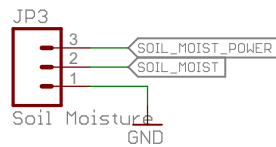
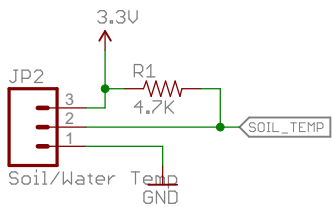


### Pressure/Altitude



### DS18B20

Soil/Water Temperature (optional) Soil Moisture (optional) I2C Port (optional)



open hardware

# sparkfun

Released under the Creative Commons

Attribution Share-Alike 4.0 License

<https://creativecommons.org/licenses/by-sa/4.0/>



TITLE: SparkFun\_Photon\_Weather\_Shield\_v10

Design by Joel Bartlett

Based on the Weather Shield for Arduino by Nathan Seidle

REV:

V10

Date: 6/30/2015 2:53:18 PM

Sheet: 1/1