

1

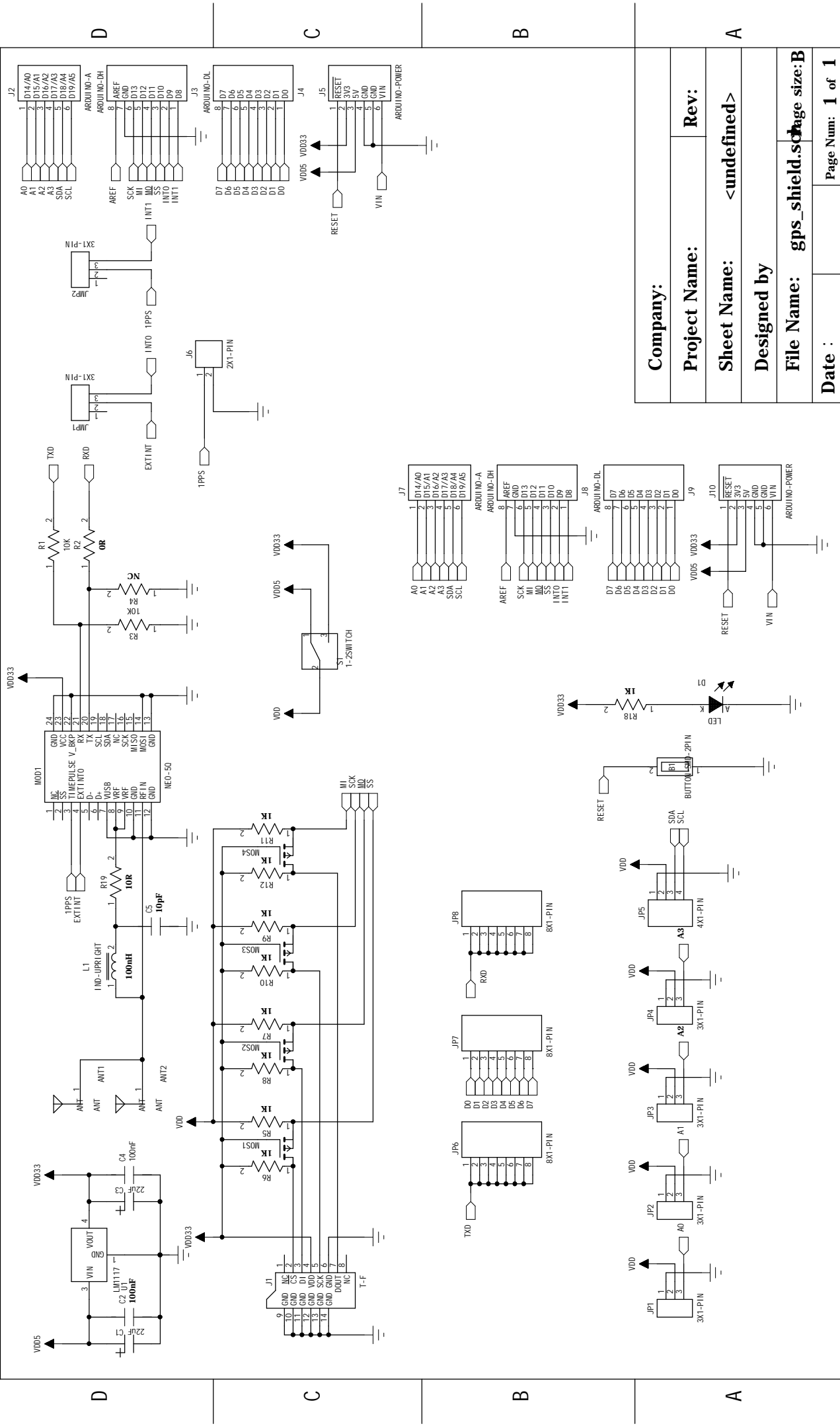
2

3

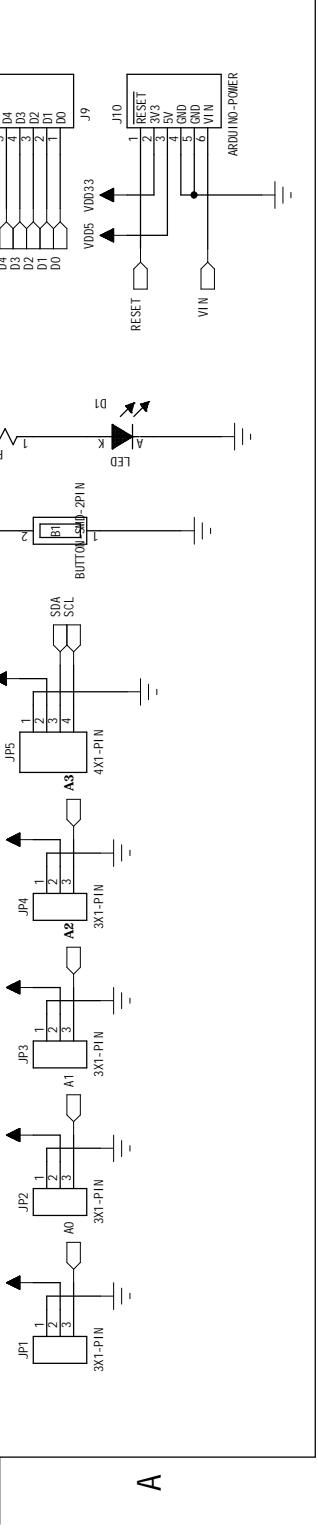
4

5

6



| | |
|--|-------------------------|
| Company: | |
| Project Name: | |
| Sheet Name: <undefined> | |
| Designed by | |
| File Name: gps_shield.sch page size:B | |
| Date : | Page Num: 1 of 1 |



A

B

C

D