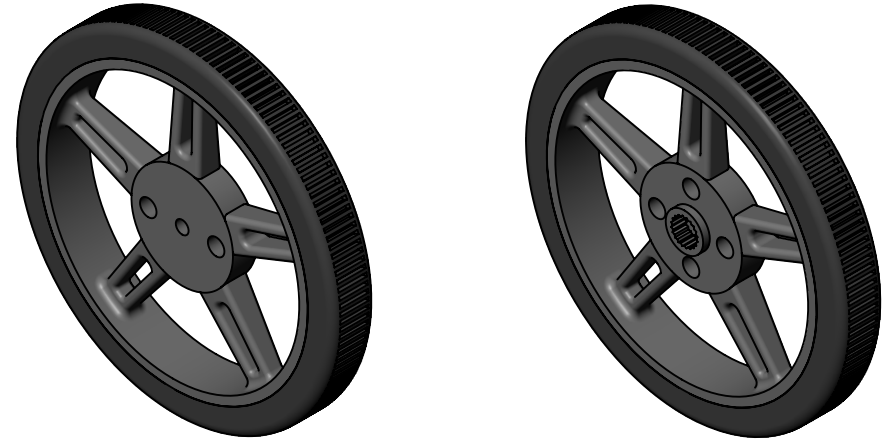
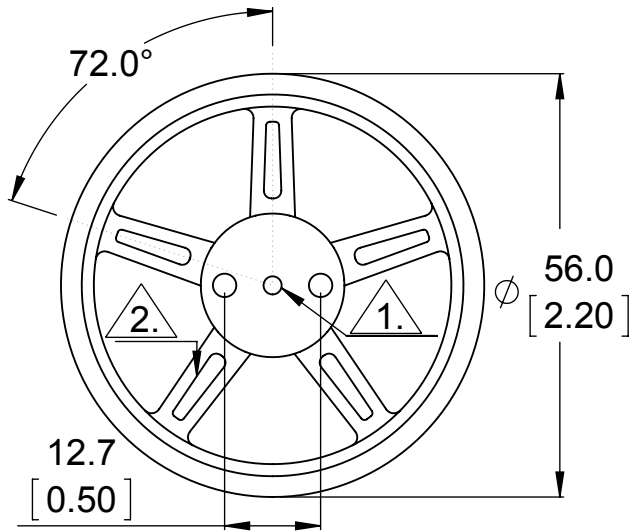


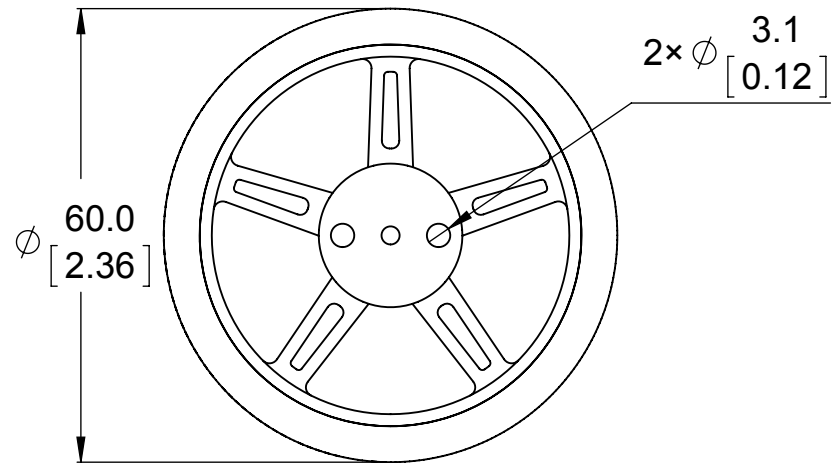
① Hub: top view
Scale 1:1



③ Wheel: isometric views
Scale 1:1



② Hub: front view
Scale 1:1



④ Wheel: front view
Scale 1:1

① Fits FEETECH FS90R micro continuous rotation servo spline.

② Mounting cutouts fit #2 screw.

3. To get the specified scale, select 100% in print settings.

<http://www.pololu.com/product/2819>

Name:
Pololu Wheel for FEETECH FS90R Micro
Servo, 60x8mm

Item number:
2819

Drawing date:
16 September 2015

Units: mm
[in]

Material:
ABS & Silicone

Pololu
Robotics & Electronics
© 2015 Pololu Corporation