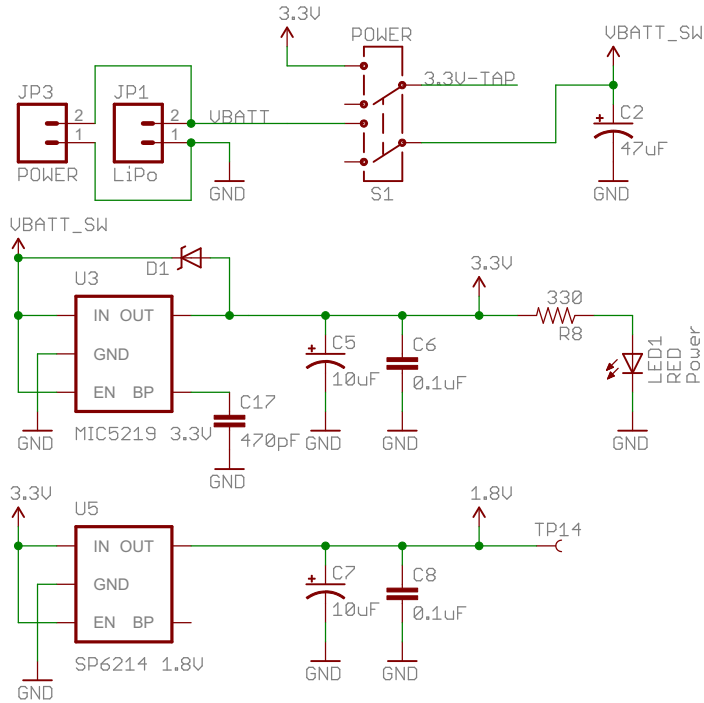
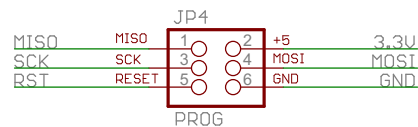


## Power

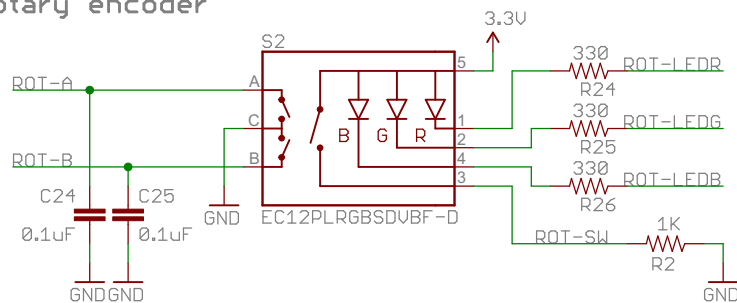
VIN: FROM 5V FTDI OR SEW TAP  
 OPERATION RANGE: 3.7V - 6V  
 LIPO CHARGE RANGE: 4.5V - 6V



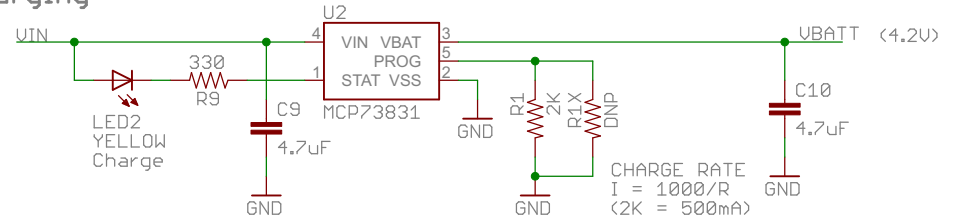
## Programming



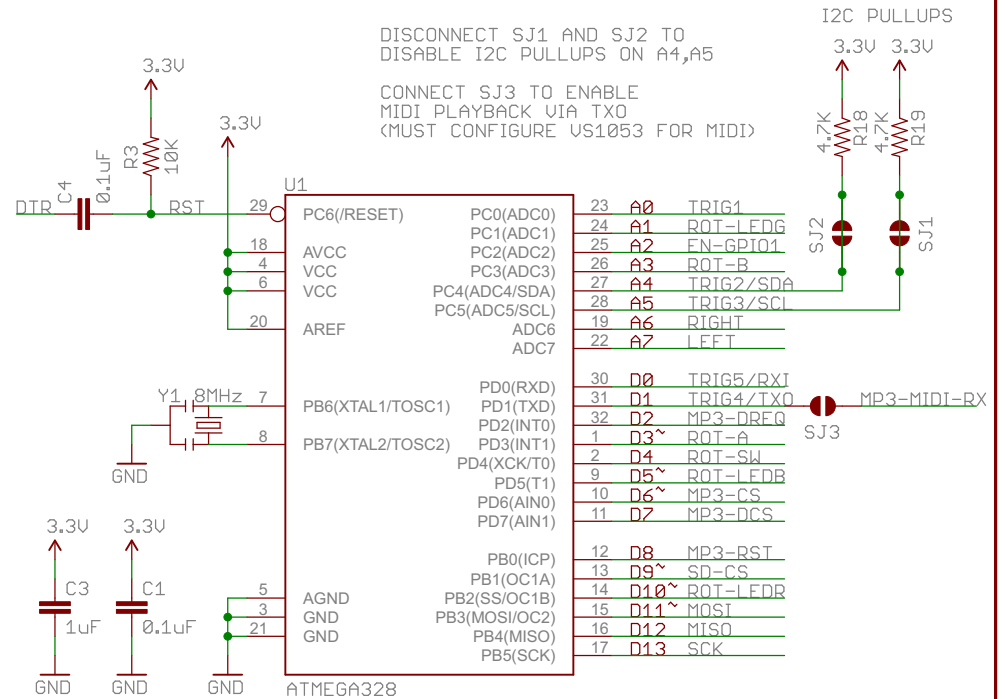
## Rotary encoder



## Charging



## Microprocessor



TITLE: LilyPad-MP3-v15a

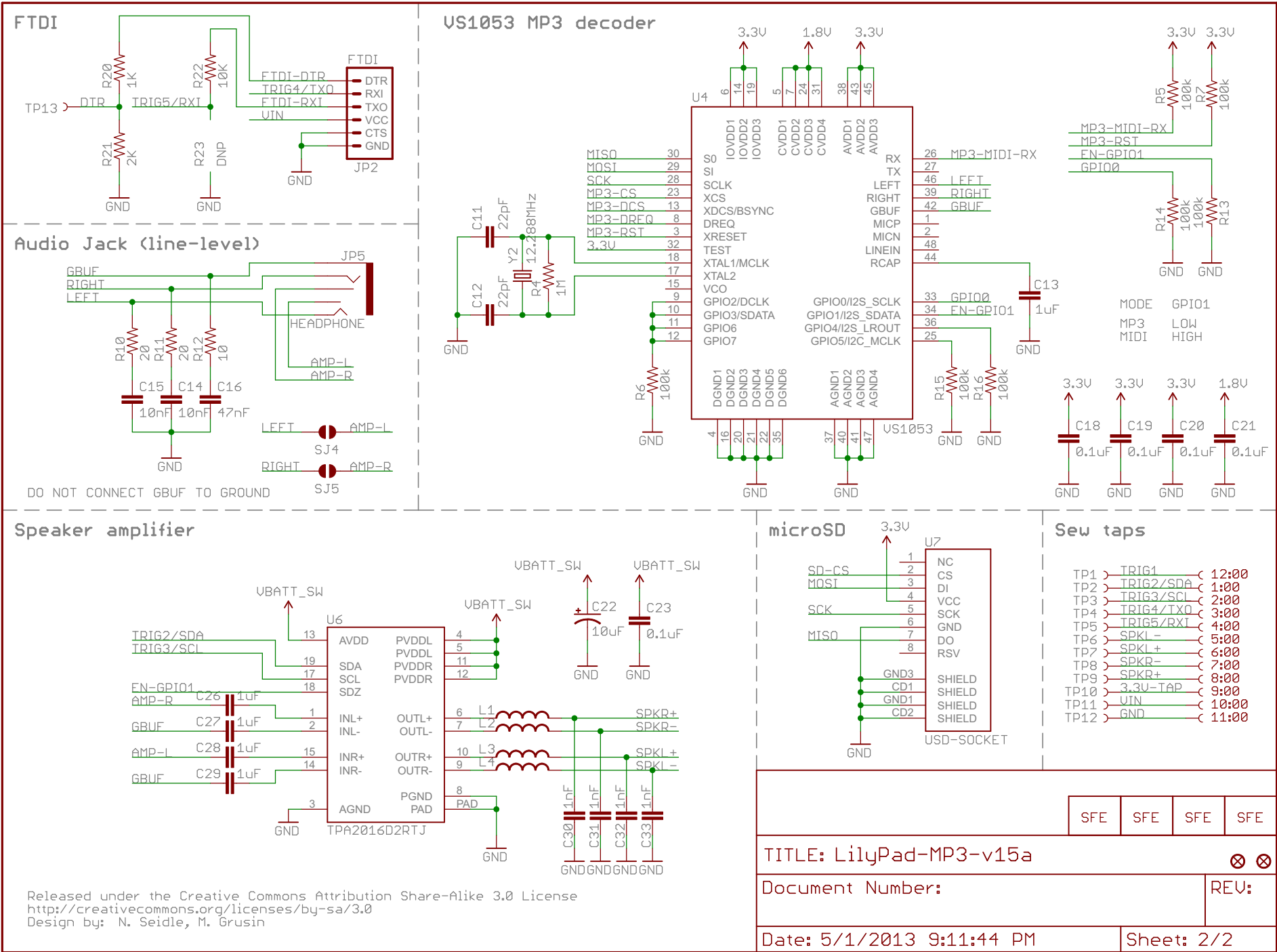
LilyPad

Document Number:  
 Spark Fun Electronics

REV:

Date: 5/1/2013 9:11:44 PM

Sheet: 1/2



Released under the Creative Commons Attribution Share-Alike 3.0 License  
<http://creativecommons.org/licenses/by-sa/3.0>  
 Design by: N. Seidle, M. Grusin

SFE	SFE	SFE	SFE
TITLE: LilyPad-MP3-v15a			⊗ ⊗
Document Number:			REV:
Date: 5/1/2013 9:11:44 PM			Sheet: 2/2