

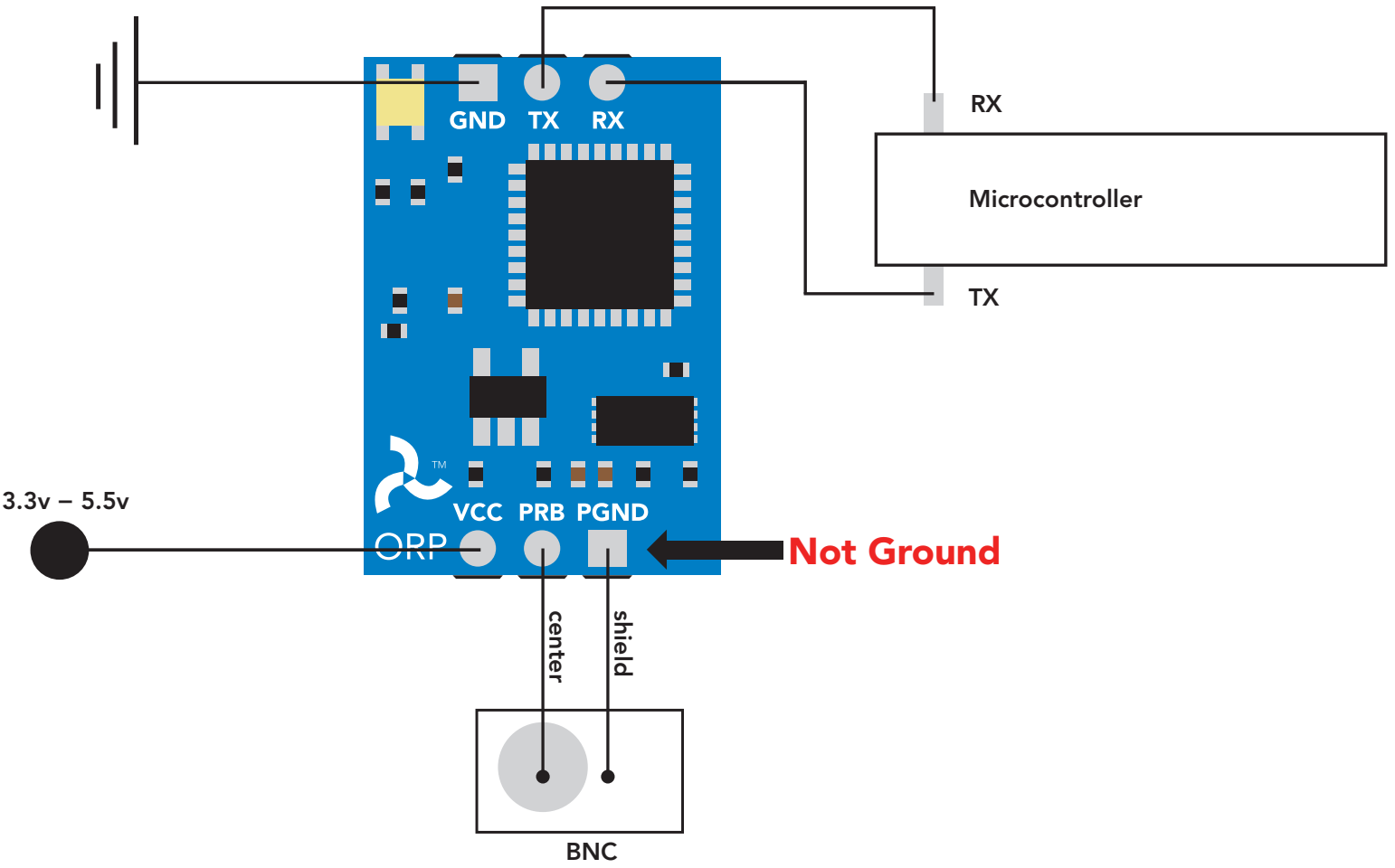


EZO™ ORP Circuit Wiring diagram

- To connect the Circuit to your microcontroller, follow the diagram below.
- Make sure your Circuit and microcontroller share a common ground.

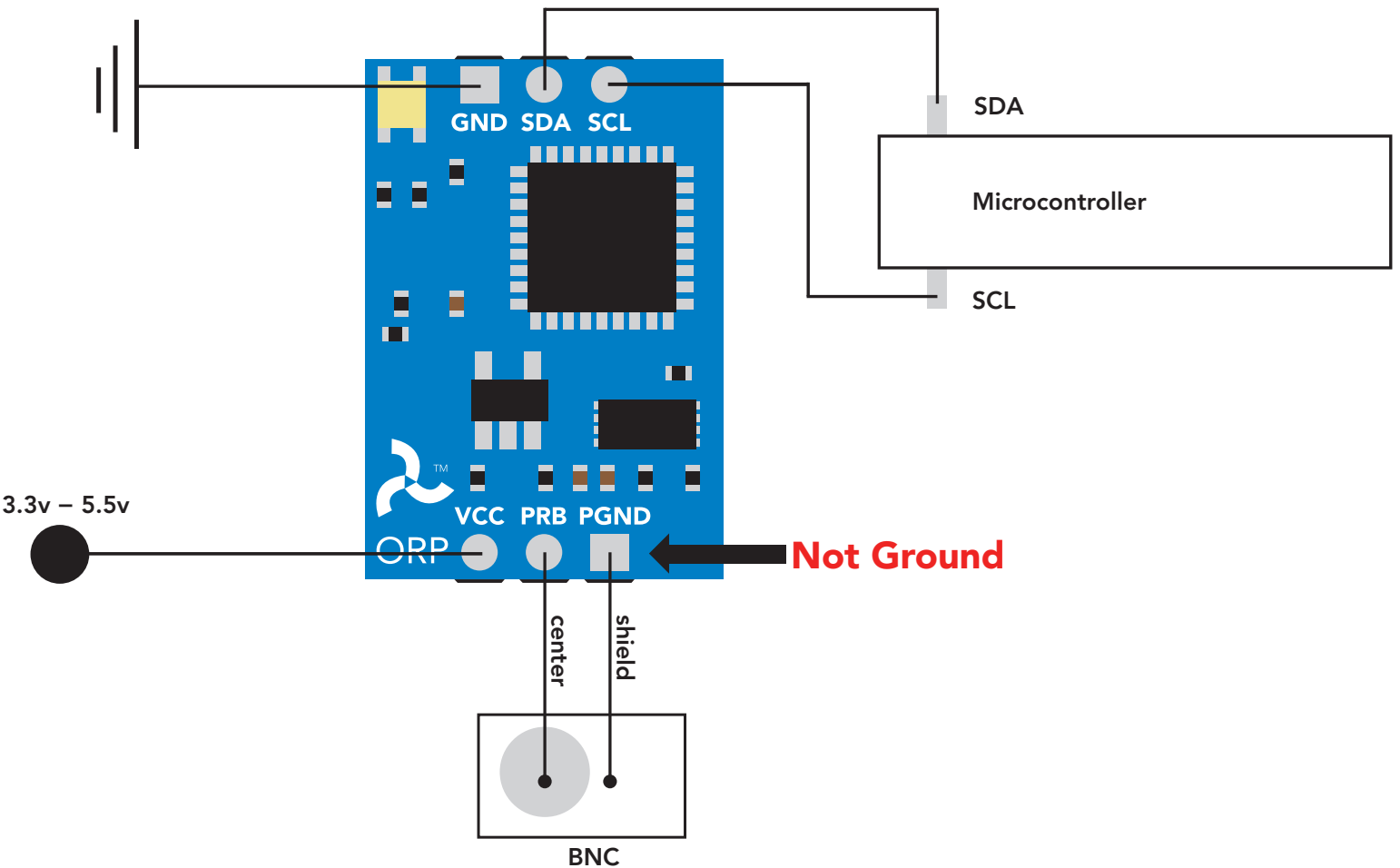
UART Mode

- TX on your Circuit connects to RX on your microcontroller.

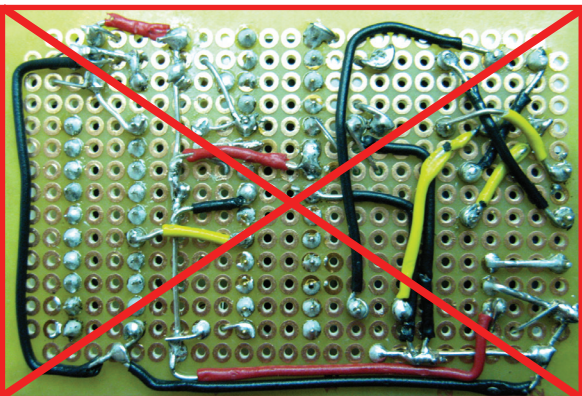


I²C Mode

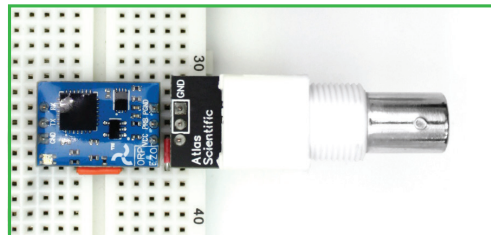
- SDA on your Circuit connects to SDA on your microcontroller.
- SCL on your Circuit connects to SCL on your microcontroller.



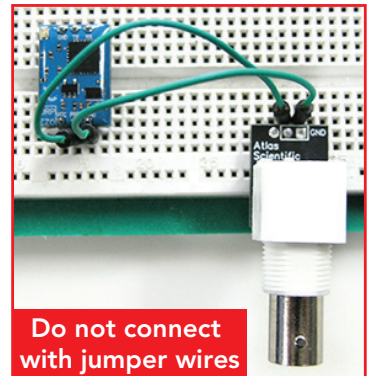
Protoboards or Perfboards should never be used.



Correct



Incorrect



Do not connect with jumper wires