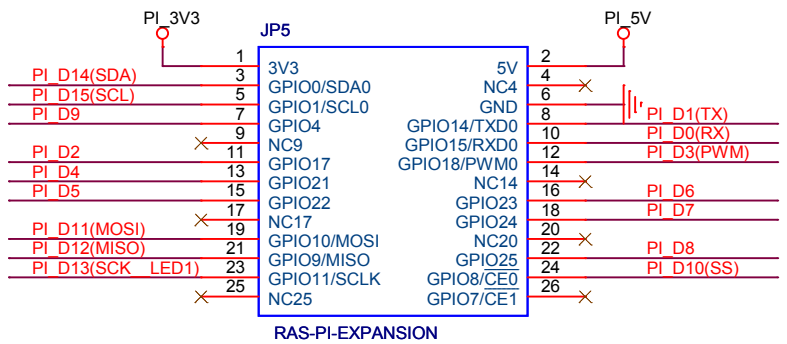
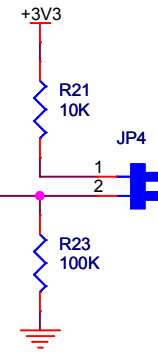
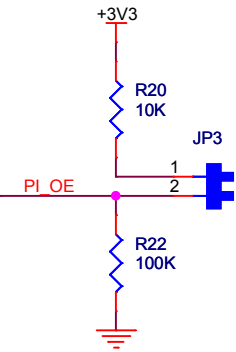
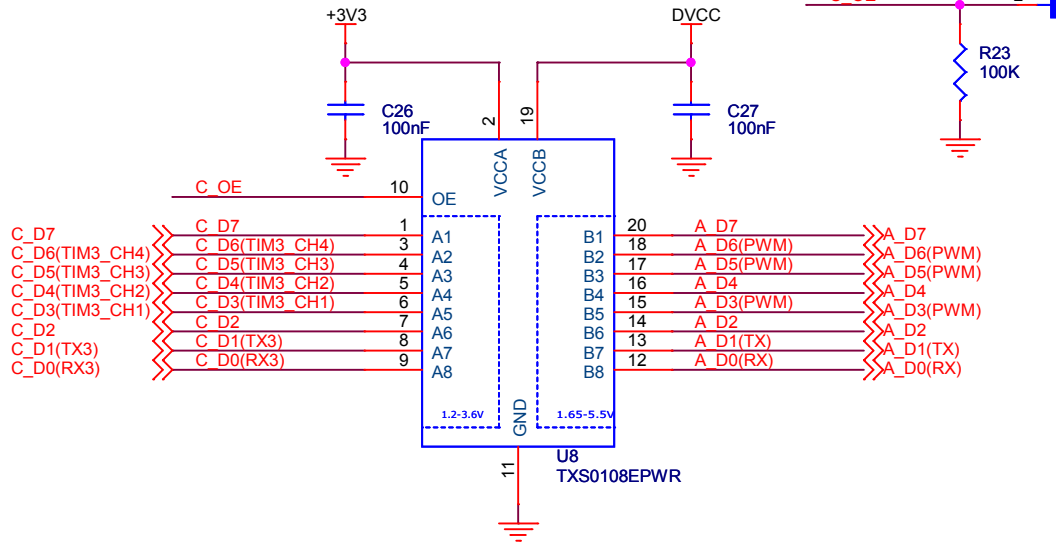
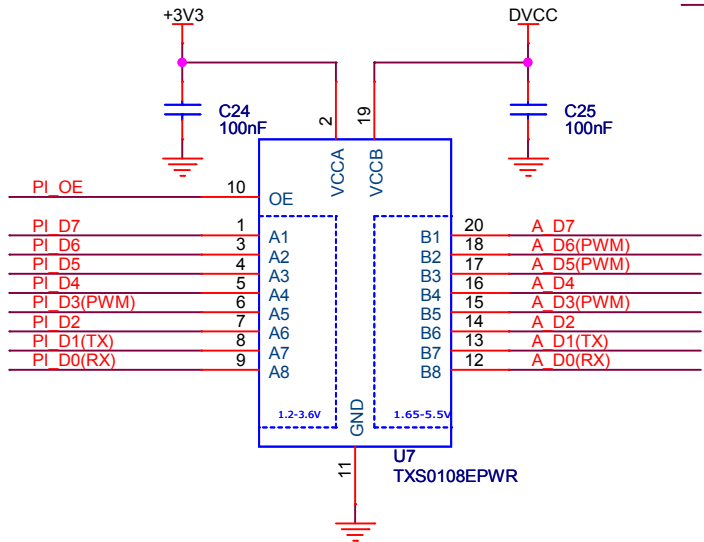
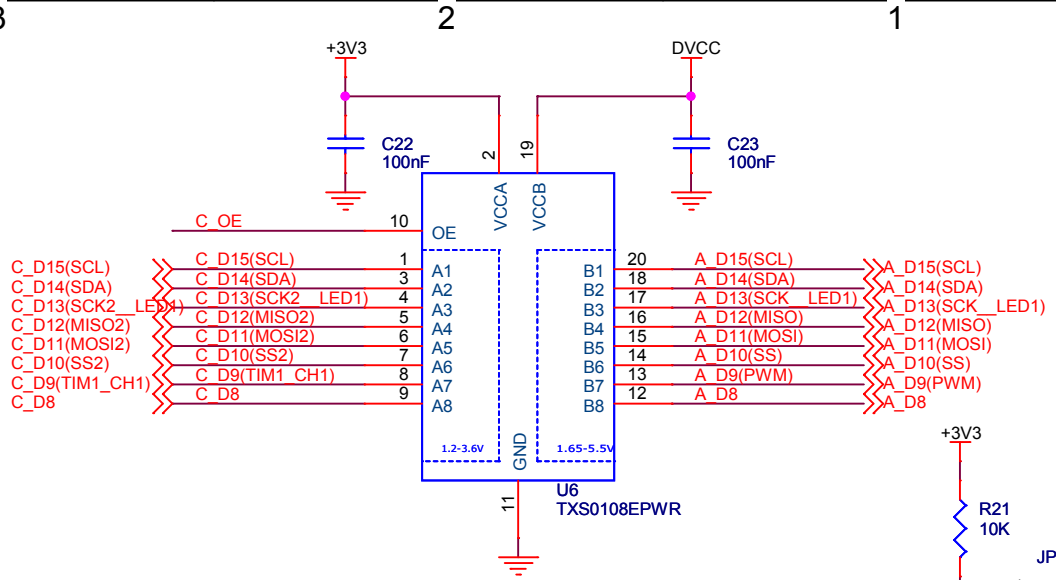
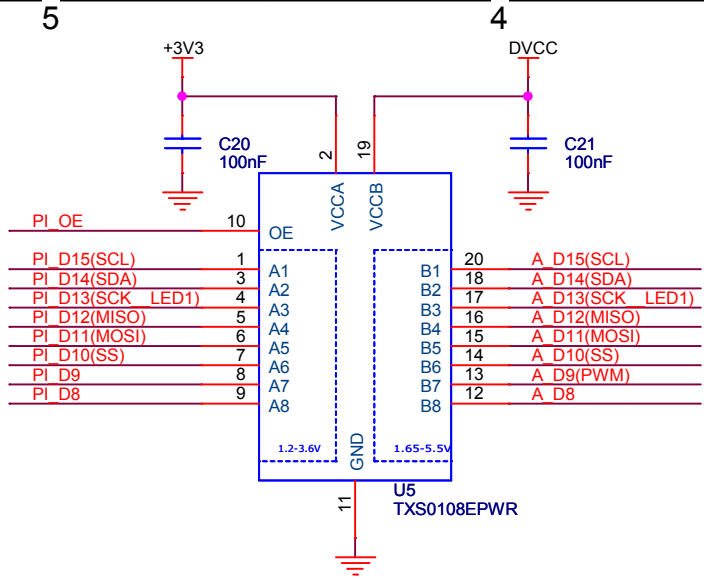
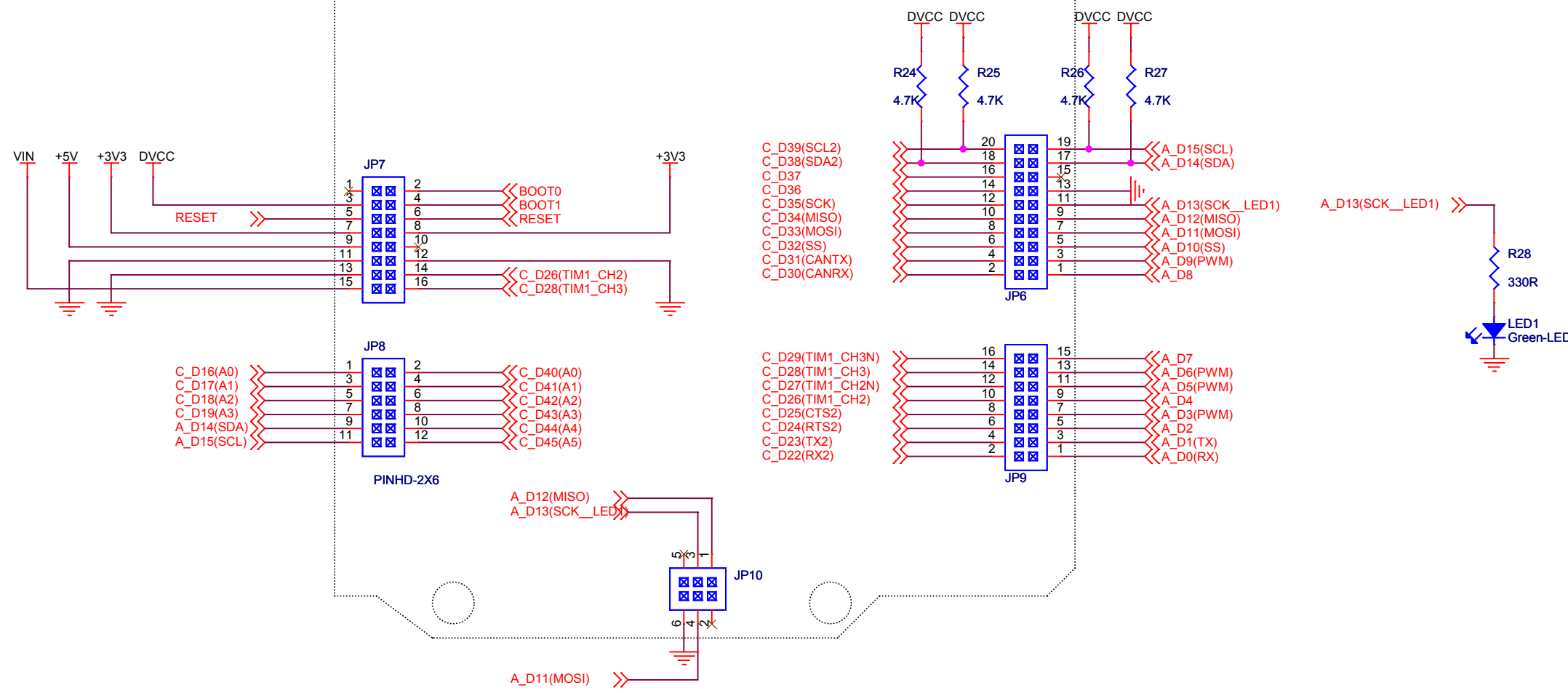


Title		Embedded Pi	
Size	A4	Document Number	<Doc>
Date:	Wednesday, April 03, 2013	Sheet	1 of 4
		Rev	<RevC>



ARDUINO UNO COMPATIBLE SHIELDS



Title		
Embedded Pi		
Size	Document Number	Rev
A4	<Doc>	<Rev>
Date:	Thursday, September 06, 2012	Sheet 4 of 4