

REV	DATE	BY	CHANGE
A	11/22/2011	BBT	Initial release.
A1	01/31/2012	BBT	10K Pull up resistor added to WP signal for U8
A2	04/16/2012 05/07/2012	BBT BBT	1. DVI_PDn signal moved from P2-42 (GPIO0_7) to P1-20 (GPIO1_31) 2. Zero ohm resistors R130, R131, R132, R133 added to DIN and DOUT signals for U6

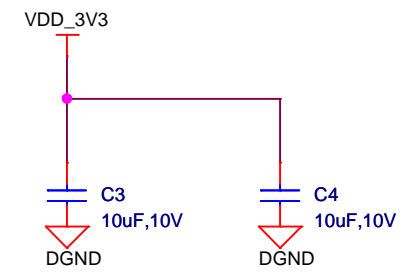
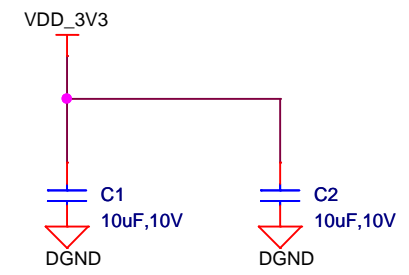
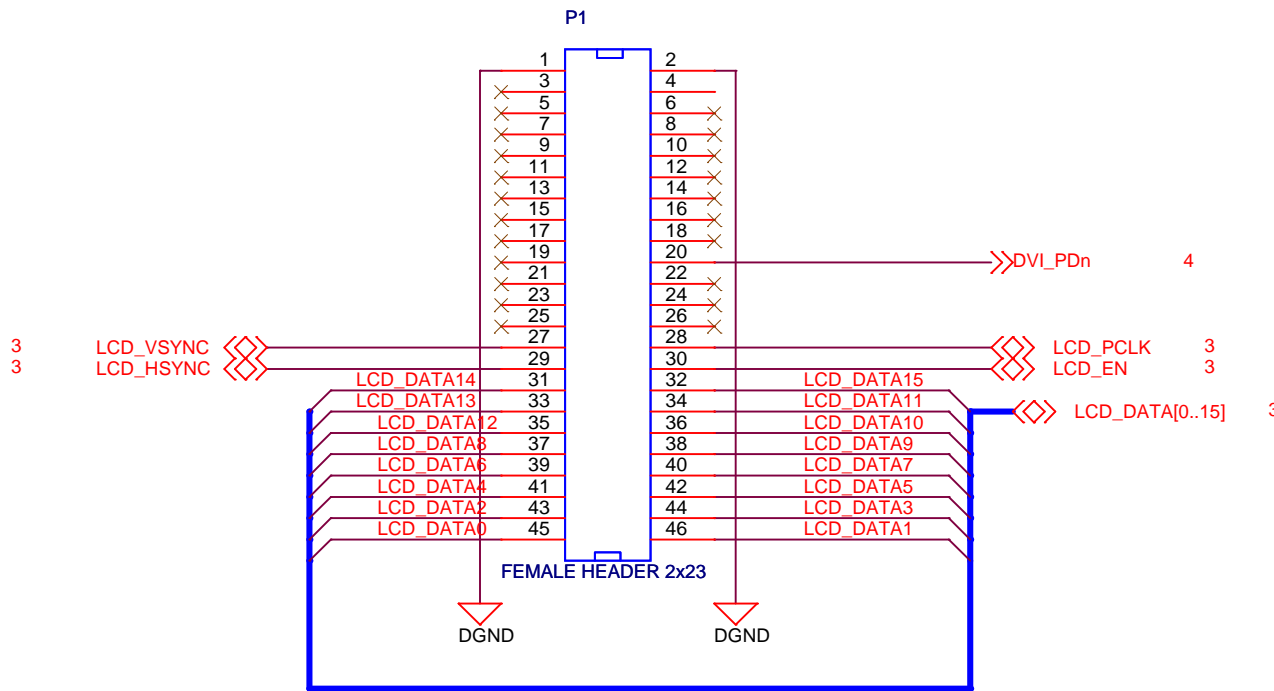
This work is licensed under the Creative Commons Attribution-Share Alike 3.0 Unported License. To view a copy of this license, visit <http://creativecommons.org/licenses/by-sa/3.0/> or send a letter to Creative Commons, 171 Second Street, Suite 300, San Francisco, California, 94105, USA.

All derivative works are to be attributed to CircuitCo LLC .

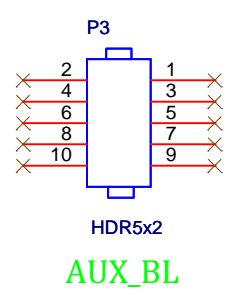
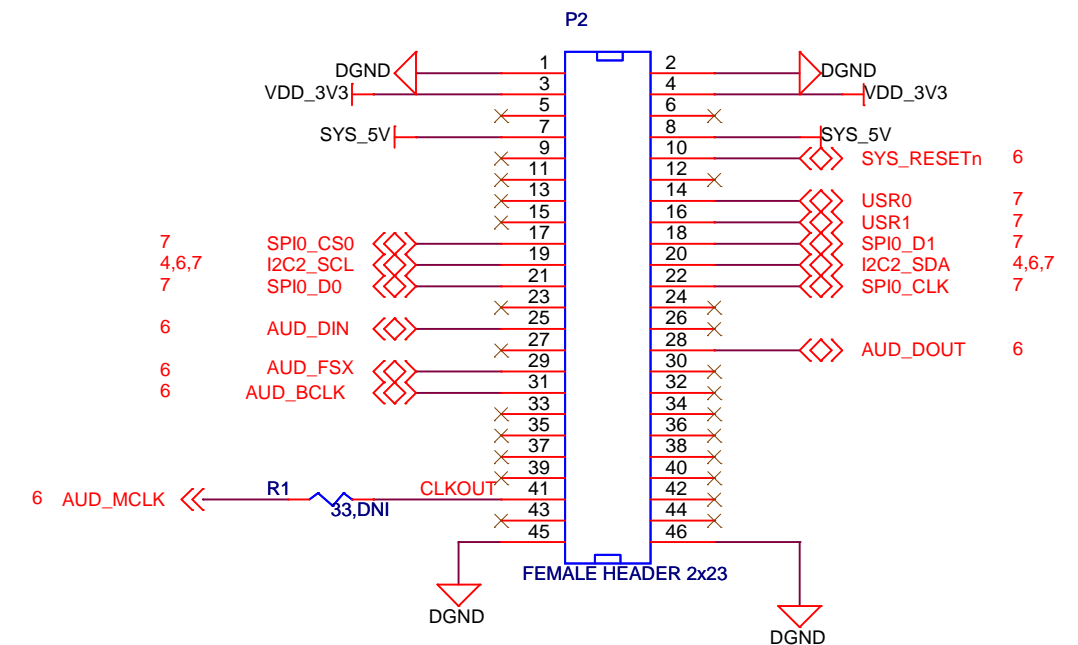
For more information, see http://creativecommons.org/license/results-one?license_code=by-sa

This work is licensed under the Creative Commons Attribution-Share Alike 3.0 Unported License. All derivative works are to be attributed to CircuitCo LLC.	 beagleboardtoys.com		1380 Presidential Dr. #100 Richardson, TX 75081 www.beagleboardtoys.com
	Title BeagleBone DVI-D Cape COVER PAGE		
beagleboardtoys is owned by CircuitCo LLC.	Size B	Document Number SCH_BeagleBone DVI-D CAPE_001	Rev A2
Date:	Tuesday, May 08, 2012	Sheet	1 of 6

CONN A IN



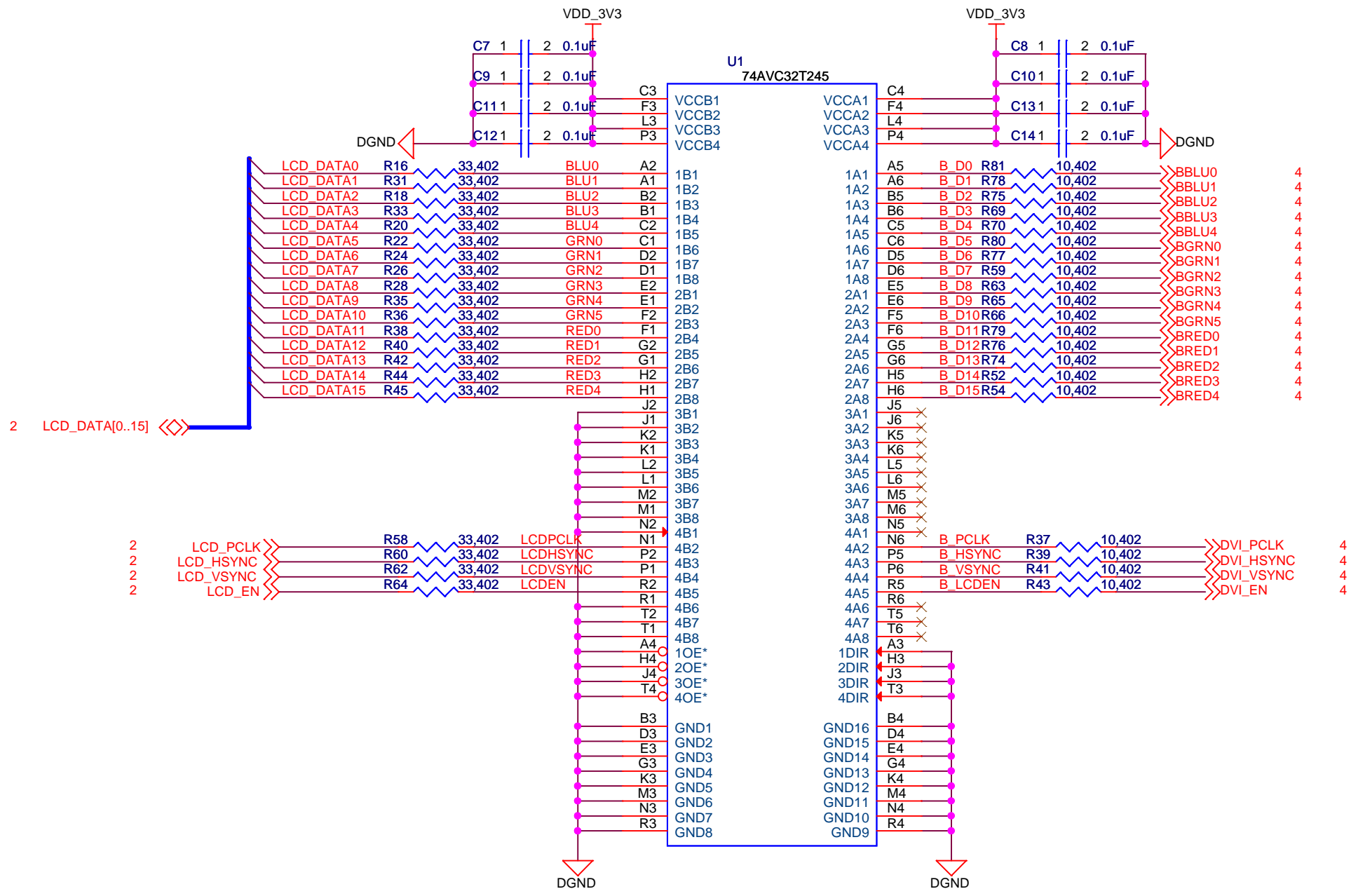
CONN B IN



This work is licensed under the Creative Commons Attribution-Share Alike 3.0 Unported License. All derivative works are to be attributed to CircuitCo LLC.
beagleboardtoys is owned by CircuitCo LLC.

1380 Presidential Dr.
#100
Richardson, TX 75081
www.beagleboardtoys.com

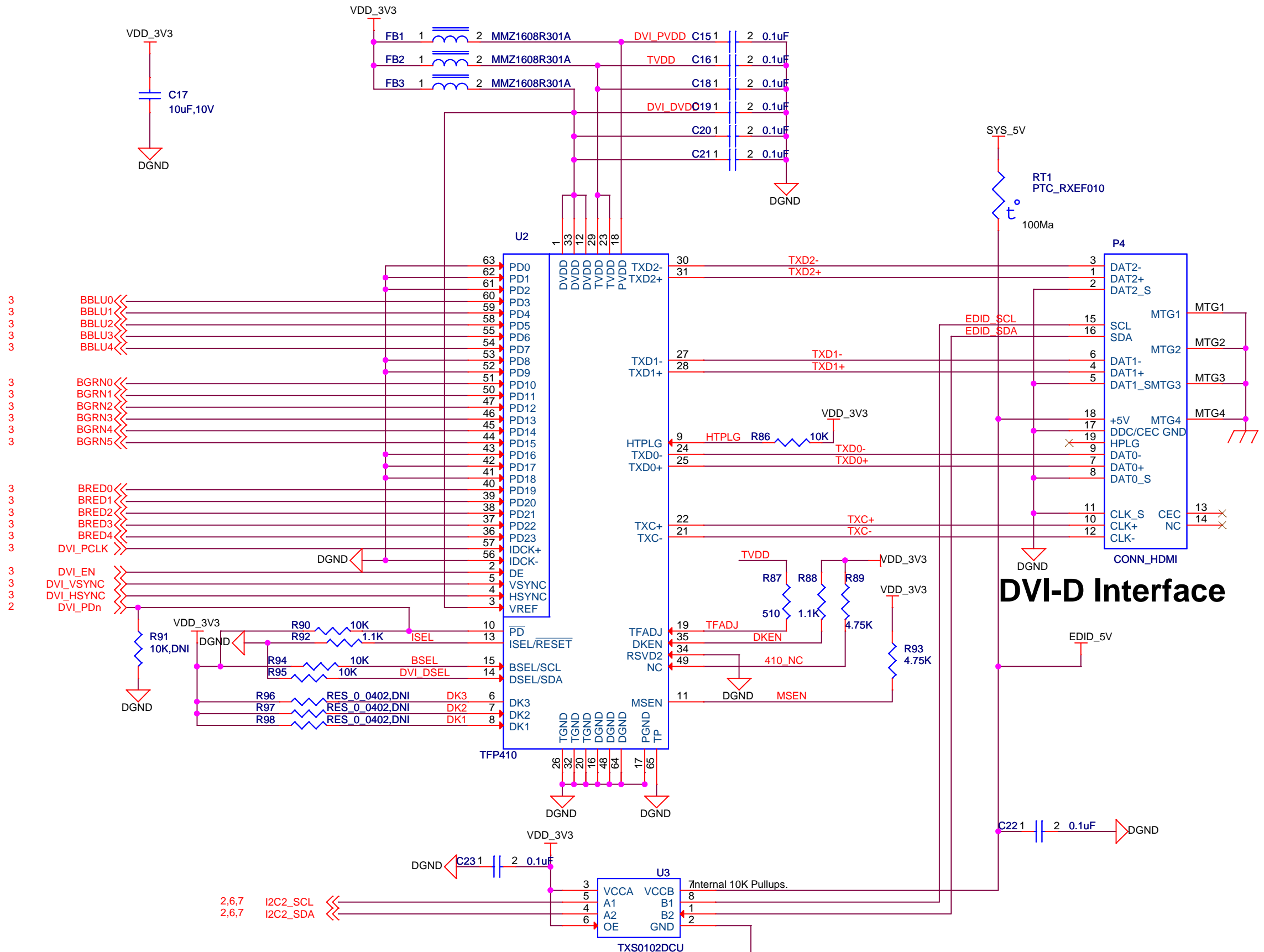
Title BeagleBone DVI-D Cape HOST INTERFACE		
Size B	Document Number SCH_BeagleBone DVI-D CAPE_001	Rev A2
Date: Monday, April 16, 2012	Sheet 2	of 6



This work is licensed under the Creative Commons Attribution-Share Alike 3.0 Unported License. All derivative works are to be attributed to CircuitCo LLC.


beagleboardtoys is owned by CircuitCo LLC.

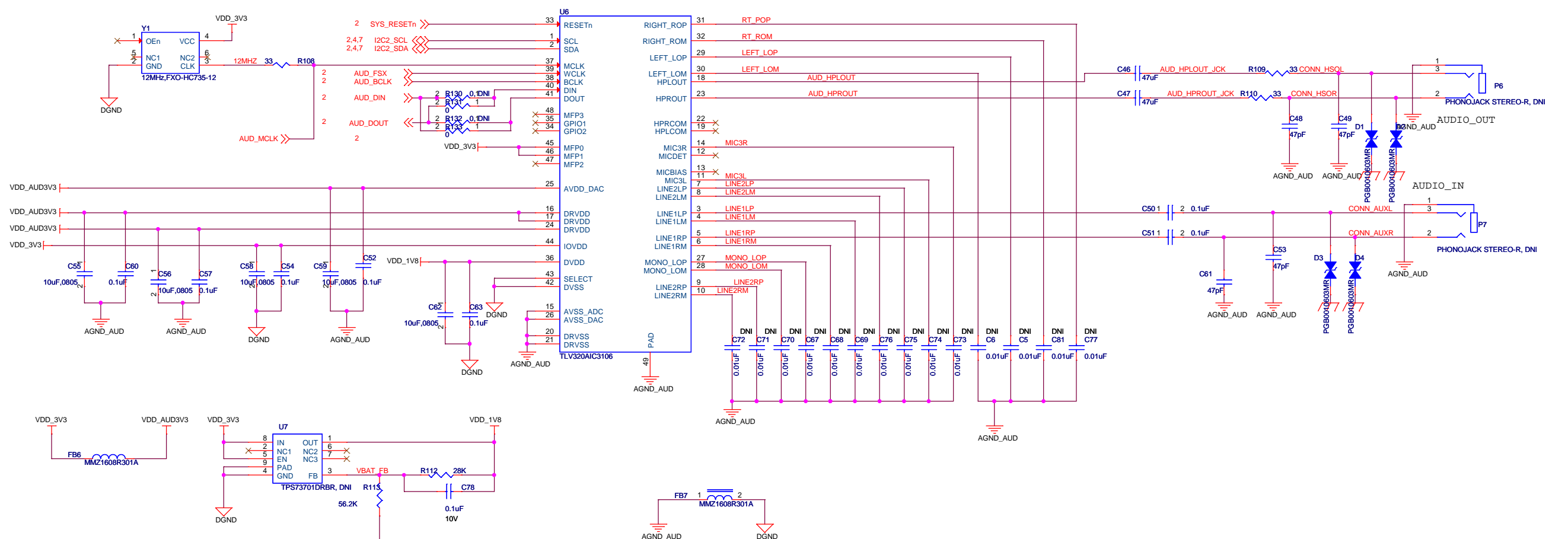
		1380 Presidential Dr. #100 Richardson, TX 75081 www.beagleboardtoys.com	
		Title: BeagleBone DVI-D Cape BUFFER	
Size: B	Document Number: SCH_BeagleBone DVI-D CAPE_001	Rev: A2	
Date: Monday, April 16, 2012	Sheet: 3	of 6	



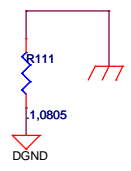
DVI-D Interface

DDC I2C Interface

This work is licensed under the Creative Commons Attribution-Share Alike 3.0 Unported License. All derivative works are to be attributed to CircuitCo LLC. beagleboardtoys is owned by CircuitCo LLC.		 1380 Presidential Dr. #100 Richardson, TX 75081 www.beagleboardtoys.com	
Title: BeagleBone DVI-D Cape DVI-D INTERFACE			
Size B	Document Number SCH_BeagleBone DVI-D CAPE_001	Rev A2	
Date:	Monday, April 16, 2012	Sheet 4 of 6	



ALL PARTS IN THIS BOX ARE "DNI" FOR -000 ASSEMBLY.
 THESE WILL BE INSTALLED FOR -001 ASSEMBLY

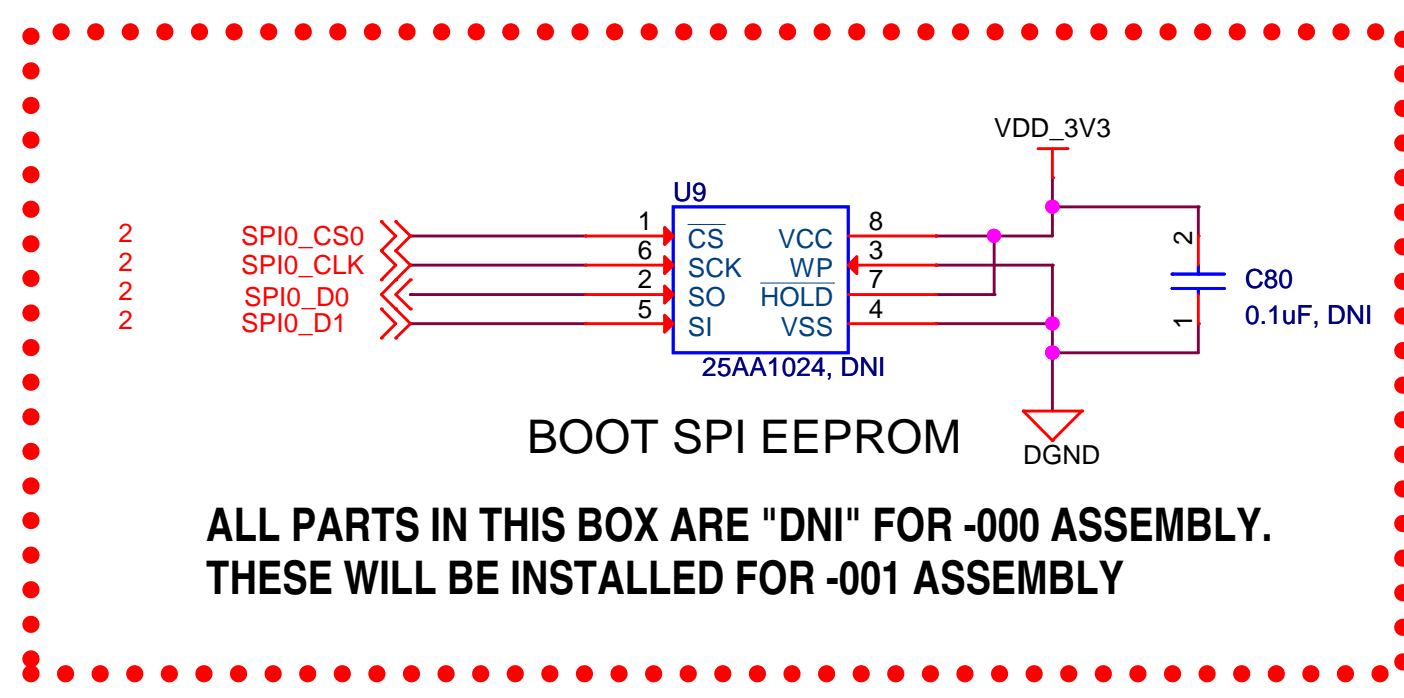
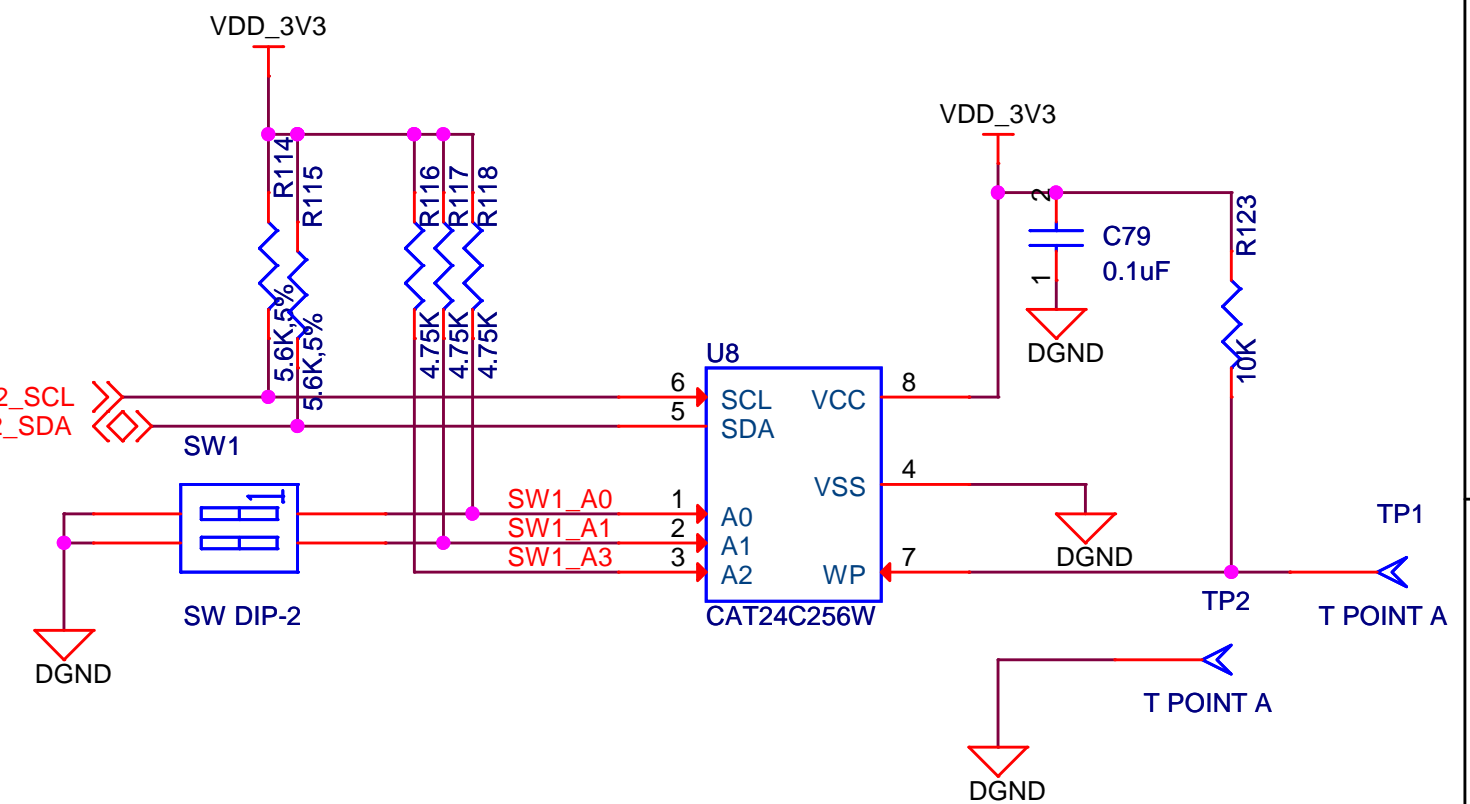
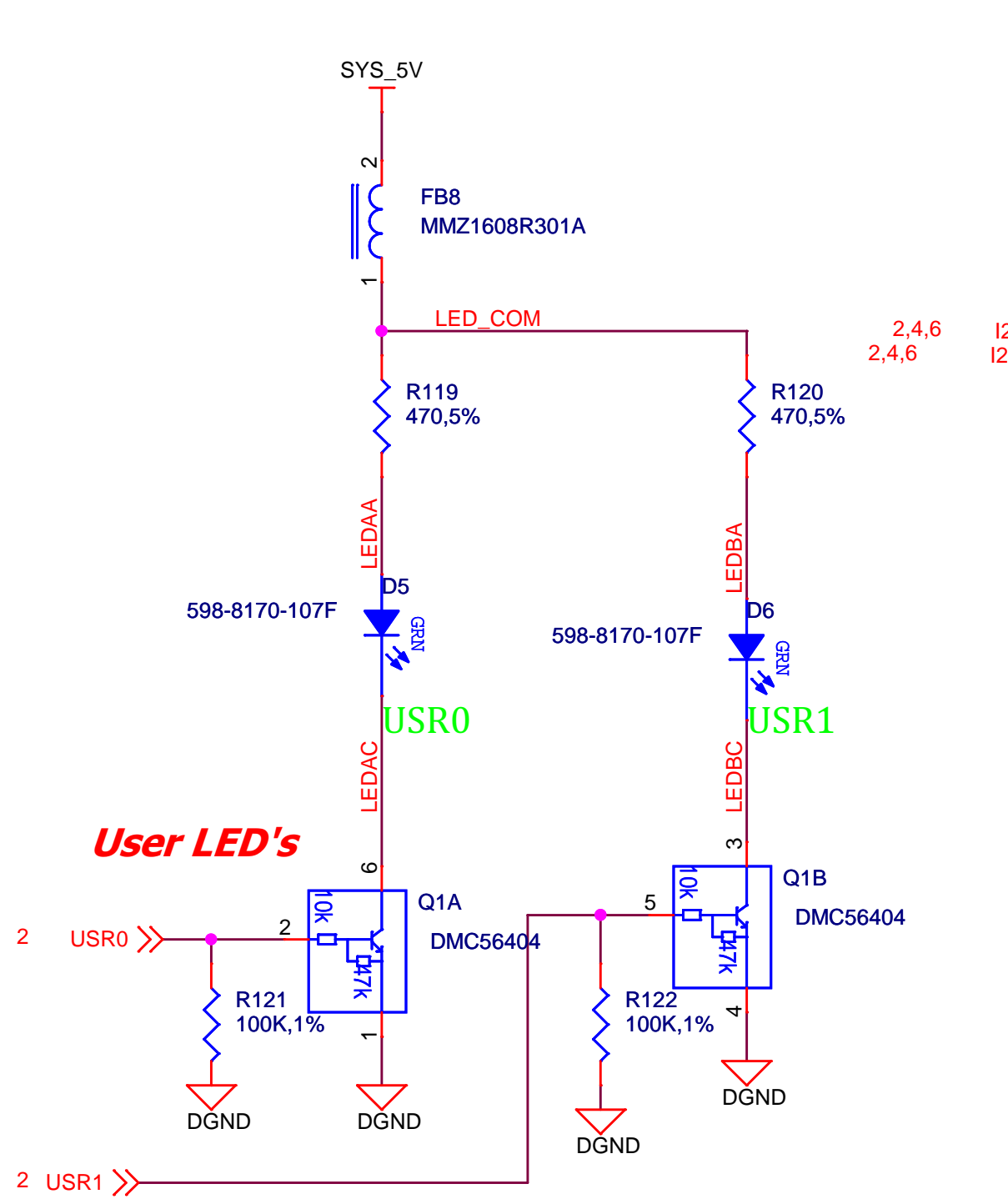


This work is licensed under the Creative Commons Attribution-Share Alike 3.0 Unported License. All derivative works are to be attributed to CircuitCo LLC.

beagleboardtoys.com

1380 Presidential Dr.
 #100
 Richardson, TX 75081
 www.beagleboardtoys.com

Title		BeagleBone DVI-D Cape AUDIO INTERFACE	
Size	Document Number	SCH_BeagleBone DVI-D CAPE_001	
C		Rev	A2
Date:	Monday, May 07, 2012	Sheet	5 of 6



This work is licensed under the Creative Commons Attribution-Share Alike 3.0 Unported License. All derivative works are to be attributed to CircuitCo LLC.

beagleboardtoys is owned by CircuitCo LLC.

1380 Presidential Dr.
#100
Richardson, TX 75081
www.beagleboardtoys.com

 beagleboardtoys.com

Title BeagleBone DVI-D Cape BOARD ID EEPROM		
Size A	Document Number SCH_BeagleBone DVI-D CAPE_001	Rev A2
Date: Monday, April 16, 2012	Sheet 6	of 6