

BeagleBone Black System Reference Manual

Revision A5.2
April 11, 2013

Author: Gerald Coley

Contributing Editor: Robert P J Day

THIS DOCUMENT

This work is licensed under the Creative Commons Attribution-Share Alike 3.0 Unported License. To view a copy of this license, visit <http://creativecommons.org/licenses/by-sa/3.0/> or send a letter to Creative Commons, 171 Second Street, Suite 300, San Francisco, California, 94105, USA.

All derivative works are to be attributed to Gerald Coley of BeagleBoard.org.

For more information, see <http://creativecommons.org/licenses/by-sa/3.0/>

Send all comments and errors concerning this document to the author at
gerald@beagleboard.org

For other questions you may contact Gerald at:

Gerald Coley
Texas Instruments
12500 TI Blvd. Dallas, Tx 75243
g-coley1@ti.com

All information in this document is subject to change without notice.

For an up to date version of this document refer to:

[http://circuitco.com/support/index.php?title=BeagleBoneBlack#LATEST PRODUCTION FILES .28A5A.29](http://circuitco.com/support/index.php?title=BeagleBoneBlack#LATEST_PRODUCTION_FILES_.28A5A.29)

BEAGLEBONE DESIGN

These design materials referred to in this document are ***NOT SUPPORTED*** and **DO NOT** constitute a reference design. Only “community” support is allowed via resources at BeagleBoard.org/discuss.

THERE IS NO WARRANTY FOR THE DESIGN MATERIALS, TO THE EXTENT PERMITTED BY APPLICABLE LAW. EXCEPT WHEN OTHERWISE STATED IN WRITING THE COPYRIGHT HOLDERS AND/OR OTHER PARTIES PROVIDE THE DESIGN MATERIALS “AS IS” WITHOUT WARRANTY OF ANY KIND, EITHER EXPRESSED OR IMPLIED, INCLUDING, BUT NOT LIMITED TO, THE IMPLIED WARRANTIES OF MERCHANTABILITY AND FITNESS FOR A PARTICULAR PURPOSE. THE ENTIRE RISK AS TO THE QUALITY AND PERFORMANCE OF THE DESIGN MATERIALS IS WITH YOU. SHOULD THE DESIGN MATERIALS PROVE DEFECTIVE, YOU ASSUME THE COST OF ALL NECESSARY SERVICING, REPAIR OR CORRECTION.

This board was designed as an evaluation and development tool. It was not designed with any other application in mind. As such, these design materials may or may not be suitable for any other purposes. If used, the design material becomes your responsibility as to whether or not it meets your specific needs or your specific applications and may require changes to meet your requirements.

BEAGLEBONE BLACK ADDITIONAL TERMS

BeagleBoard.org, Circuitco, LLC, and BeagleBoard.org (Supplier) provide the enclosed BeagleBone under the following conditions:

The user assumes all responsibility and liability for proper and safe handling of the goods. Further, the user indemnifies Supplier from all claims arising from the handling or use of the goods.

Should the BeagleBone not meet the specifications indicated in the System Reference Manual, the BeagleBone may be returned within 90 days from the date of delivery to the distributor of purchase for a full refund. THE FOREGOING LIMITED WARRANTY IS THE EXCLUSIVE WARRANTY MADE BY SELLER TO BUYER AND IS IN LIEU OF ALL OTHER WARRANTIES, EXPRESSED, IMPLIED, OR STATUTORY, INCLUDING ANY WARRANTY OF MERCHANTABILITY OR FITNESS FOR ANY PARTICULAR PURPOSE. EXCEPT TO THE EXTENT OF THE INDEMNITY SET FORTH ABOVE, NEITHER PARTY SHALL BE LIABLE TO THE OTHER FOR ANY INDIRECT, SPECIAL, INCIDENTAL, OR CONSEQUENTIAL DAMAGES.

Please read the System Reference Manual and, specifically, the Warnings and Restrictions notice in the Systems Reference Manual prior to handling the product. This notice contains important safety information about temperatures and voltages.

No license is granted under any patent right or other intellectual property right of Supplier covering or relating to any machine, process, or combination in which such Supplier products or services might be or are used. The Supplier currently deals with a variety of customers for products, and therefore our arrangement with the user is not exclusive. The Supplier assume no liability for applications assistance, customer product design, software performance, or infringement of patents or services described herein.

UNITED STATES FCC AND CANADA IC REGULATORY COMPLIANCE INFORMATION

The BeagleBone is annotated to comply with Part 15 of the FCC Rules.

Operation is subject to the following two conditions: (1) This device may not cause harmful interference, and (2) this device must accept any interference received, including interference that may cause undesired operation. Changes or modifications not expressly approved by the party responsible for compliance could void the user's authority to operate the equipment.

This Class A or B digital apparatus complies with Canadian ICES-003. Changes or modifications not expressly approved by the party responsible for compliance could void the user's authority to operate the equipment. Cet appareil numérique de la classe A ou B est conforme à la norme NMB-003 du Canada. Les changements ou les modifications pas expressément approuvés par la partie responsable de la conformité ont pu vider l'autorité de l'utilisateur pour actionner l'équipement.

BEAGLEBONE WARNINGS, RESTRICTIONS AND DISCLAIMERS

For Feasibility Evaluation Only, in Laboratory/Development Environments. The BeagleBone Black is not a complete product. It is intended solely for use for preliminary feasibility evaluation in laboratory/development environments by technically qualified electronics experts who are familiar with the dangers and application risks associated with handling electrical mechanical components, systems and subsystems. It should not be used as all or part of a finished end product.

Your Sole Responsibility and Risk you acknowledge, represent, and agree that:

1. You have unique knowledge concerning Federal, State and local regulatory requirements (including but not limited to Food and Drug Administration regulations, if applicable) which relate to your products and which relate to your use (and/or that of your employees, affiliates, contractors or designees) of the BeagleBone for evaluation, testing and other purposes.
2. You have full and exclusive responsibility to assure the safety and compliance of your products with all such laws and other applicable regulatory requirements, and also to assure the safety of any activities to be conducted by you and/or your employees, affiliates, contractors or designees, using the BeagleBone. Further, you are responsible to assure that any interfaces (electronic and/or mechanical) between the BeagleBone and any human body are designed with suitable isolation and means to safely limit accessible leakage currents to minimize the risk of electrical shock hazard.
3. Since the BeagleBone is not a completed product, it may not meet all applicable regulatory and safety compliance standards which may normally be associated with similar items. You assume full responsibility to determine and/or assure compliance with any such standards and related certifications as may be applicable. You will employ reasonable safeguards to ensure that your use of the BeagleBone will not result in any property damage, injury or death, even if the BeagleBone should fail to perform as described or expected.

Certain Instructions. It is important to operate the BeagleBone Black within Supplier's recommended specifications and environmental considerations per the user guidelines. Exceeding the specified BeagleBone ratings (including but not limited to input and output voltage, current, power, and environmental ranges) may cause property damage, personal injury or death. If there are questions concerning these ratings please contact the Supplier representative prior to connecting interface electronics including input power and intended loads. Any loads applied outside of the specified output range may result in unintended and/or inaccurate operation and/or possible permanent damage to the BeagleBone and/or interface electronics. Please consult the System Reference Manual prior to connecting any load to the BeagleBone output. If there is uncertainty as to the load specification, please contact the Supplier representative. During normal operation, some circuit components may have case temperatures greater than 60 C as long as the input and output are maintained at a normal ambient operating temperature. These components include but are not limited to linear regulators, switching transistors, pass transistors, and current sense resistors which can be identified using the BeagleBone schematic located at the link in the BeagleBone System Reference Manual. When placing measurement probes near these devices during normal operation, please be aware that these devices may be very warm to the touch. As with all electronic evaluation tools, only qualified personnel knowledgeable in electronic measurement and diagnostics normally found in development environments should use the BeagleBone.

Agreement to Defend, Indemnify and Hold Harmless. You agree to defend, indemnify and hold the Suppliers, its licensors and their representatives harmless from and against any and all claims, damages, losses, expenses, costs and liabilities (collectively, "Claims") arising out of or in connection with any use of the BeagleBone that is not in

accordance with the terms of the agreement. This obligation shall apply whether Claims arise under law of tort or contract or any other legal theory, and even if the BeagleBone fails to perform as described or expected.

Safety-Critical or Life-Critical Applications. If you intend to evaluate the components for possible use in safety critical applications (such as life support) where a failure of the Supplier's product would reasonably be expected to cause severe personal injury or death, such as devices which are classified as FDA Class III or similar classification, then you must specifically notify Suppliers of such intent and enter into a separate Assurance and Indemnity Agreement.

Mailing Address:

BeagleBoard.org
1380 Presidential Dr. #100
Richardson, TX 75081
U.S.A.

WARRANTY: *The BeagleBone Black Assembly as purchased is warranted against defects in materials and workmanship for a period of 90 days from purchase. This warranty does not cover any problems occurring as a result of improper use, modifications, exposure to water, excessive voltages, abuse, or accidents. All boards will be returned via standard mail if an issue is found. If no issue is found or express return is needed, the customer will pay all shipping costs.*

Before returning the board, please visit
BeagleBoard.org/support

For up to date SW images and technical information refer to
<http://circuitco.com/support/index.php?title=BeagleBoneBlack>

All support for this board is provided via community support at
www.beagleboard.org/discuss

To return a defective board for repair, please request an RMA at
<http://beagleboard.org/support/rma>

Please DO NOT return the board without approval from the RMA team first.

All boards received without RMA approval will not be worked on.

Table of Contents

FIGURES	9
TABLES	11
1.0 INTRODUCTION	12
2.0 CHANGE HISTORY	12
2.1 DOCUMENT CHANGE HISTORY	12
2.2 BOARD CHANGES.....	12
2.2.1 Rev A5B.....	12
3.0 CONNECTING UP YOUR BEAGLEBONE BLACK	13
3.1 WHAT'S IN THE BOX.....	13
3.2 MAIN CONNECTION SCENARIOS.....	14
3.3 TETHERED TO A PC.....	14
3.3.1 Connect the Cable to the Board.....	15
3.3.2 Accessing the Board as a Storage Drive.....	16
3.4 STANDALONE W/DISPLAY AND KEYBOARD/MOUSE	17
3.4.1 Required Accessories.....	17
3.4.2 Connecting Up the Board	18
5. Apply Power	20
4.0 BEAGLEBONE BLACK OVERVIEW	24
4.1 BEAGLEBONE COMPATIBILITY	25
4.2 BEAGLEBONE BLACK FEATURES AND SPECIFICATION.....	26
4.3 BOARD COMPONENT LOCATIONS.....	27
4.3.1 Connectors, LEDs, and Switches.....	27
4.3.2 Key Components.....	28
5.0 BEAGLEBONE BLACK HIGH LEVEL SPECIFICATION	29
5.1 BLOCK DIAGRAM.....	29
5.2 PROCESSOR.....	30
5.3 MEMORY.....	30
5.3.1 512MB DDR3L.....	30
5.3.2 32KB EEPROM.....	30
5.3.3 2GB Embedded MMC.....	30
5.3.4 MicroSD Connector.....	30
5.3.5 Boot Modes.....	31
5.4 POWER MANAGEMENT.....	31
5.5 PC USB INTERFACE.....	32
5.6 SERIAL DEBUG PORT	32
5.7 USB1 HOST PORT.....	32
5.8 POWER SOURCES	32
5.9 RESET BUTTON	33
5.10 POWER BUTTON.....	33
5.11 INDICATORS	33
5.12 CTI JTAG HEADER.....	33
5.13 HDMI INTERFACE.....	34
5.14 CAPE BOARD SUPPORT.....	34
6.0 DETAILED HARDWARE DESIGN	35
6.1 POWER SECTION	36
6.1.1 TPS65217C PMIC.....	36
6.1.2 DC Input.....	38



6.1.3	USB Power	39
6.1.4	Power Selection	39
6.1.5	Power Button	40
6.1.6	Battery Access Pads	40
6.1.7	Power Consumption	41
6.1.8	Processor Interfaces	41
6.1.9	Power Rails	43
6.1.10	Power LED	46
6.1.11	TPS65217C Power Up Process	46
6.1.12	Processor Control Interface	47
6.1.13	Low Power Mode Support	47
6.2	SITARA XAM3359AZCZ100 PROCESSOR	48
6.2.1	Description	48
6.2.2	High Level Features	49
6.2.3	Documentation	49
6.3	DDR3L MEMORY	50
6.3.1	Memory Device	50
6.3.2	DDR3L Memory Design	50
6.3.3	Power Rails	52
6.3.4	VREF	52
6.4	2GB EMMC MEMORY	53
6.4.1	eMMC Device	53
6.4.2	eMMC Circuit Design	54
6.5	MICRO SECURE DIGITAL	55
6.5.1	uSD Design	55
6.6	USER LEADS	56
6.7	BOOT CONFIGURATION	57
6.7.1	Boot Configuration Design	57
6.7.2	Default Boot Options	58
6.8	10/100 ETHERNET	59
6.8.1	Ethernet Processor Interface	59
6.8.2	Ethernet Connector Interface	60
6.8.3	LAN8710A Mode Pins	62
6.9	HDMI INTERFACE	63
6.9.1	Supported Resolutions	63
6.9.2	HDMI Framer	63
6.9.3	HDMI Video Processor Interface	64
6.9.4	HDMI Control Processor Interface	65
6.9.5	Interrupt Signal	65
6.9.6	Audio Interface	65
6.9.7	Power Connections	66
6.9.8	HDMI Connector Interface	67
7.0	CONNECTORS	68
7.1	EXPANSION CONNECTORS	68
7.1.1	Connector P8	69
7.1.2	Connector P9	71
7.2	POWER JACK	73
7.3	USB CLIENT	74
7.4	USB HOST	75
7.5	SERIAL HEADER	76
7.6	HDMI	78
7.7	MICROSD	79
7.8	ETHERNET	80
8.0	CAPE BOARD SUPPORT	81

8.1	BEAGLEBONEBLACK CAPE COMPATIBILITY.....	82
8.1.1	LCD Pins.....	82
8.1.2	eMMC Pins.....	83
8.2	EEPROM.....	84
8.2.1	EEPROM Address.....	85
8.2.2	I2C Bus.....	85
8.2.3	EEPROM Write Protect.....	85
8.2.4	EEPROM Data Format.....	87
8.2.5	Pin Usage.....	88
8.3	PIN USAGE CONSIDERATION.....	92
8.3.1	Boot Pins.....	92
8.4	EXPANSION CONNECTORS.....	93
8.4.1	Non-Stacking Headers-Single Cape.....	93
8.4.2	Main Expansion Headers-Stacking.....	94
8.4.3	Stacked Capes w/Signal Stealing.....	95
8.4.4	Retention Force.....	96
8.4.5	BeagleBone Black Female Connectors.....	96
8.5	SIGNAL USAGE.....	97
8.6	CAPE POWER.....	97
8.6.1	Main Board Power.....	97
8.6.2	Expansion Board External Power.....	98
8.7	MECHANICAL.....	98
8.7.1	Standard Cape Size.....	98
8.7.2	Extended Cape Size.....	99
8.7.3	Enclosures.....	100
9.0	BEAGLEBONE BLACK MECHANICAL.....	101
9.1	DIMENSIONS AND WEIGHT.....	101
9.2	SILKSCREEN AND COMPONENT LOCATIONS.....	102
10.0	PICTURES.....	105
11.0	SUPPORT INFORMATION.....	107
11.1	HARDWARE DESIGN.....	107
11.2	SOFTWARE UPDATES.....	107
11.3	RMA SUPPORT.....	108

Figures

Figure 1.	In The Box.....	13
Figure 2.	Tethered Configuration.....	14
Figure 3.	USB Connection to the Board.....	15
Figure 4.	Board Power LED.....	15
Figure 5.	Board Boot Status.....	16
Figure 6.	Desktop Configuration.....	17
Figure 7.	Connect microHDMI Cable to the Monitor.....	18
Figure 8.	DVI-D to HDMI Adapter.....	18
Figure 9.	Wireless Keyboard and Mouse Combo.....	19
Figure 10.	Connect Keyboard and Mouse Receiver to the Board.....	19
Figure 11.	Keyboard and Mouse Hubs.....	19
Figure 12.	Ethernet Cable Connection.....	20



Figure 13.	External DC Power	20
Figure 14.	Connect microHDMI Cable to the Board	21
Figure 15.	Board Boot Status	22
Figure 16.	Desktop Screen	23
Figure 17.	Connectors, LEDs and Switches	27
Figure 18.	Key Components	28
Figure 19.	BeagleBone Black Key Components	29
Figure 20.	BeagleBone Black Block Diagram	35
Figure 21.	High Level Power Block Diagram	36
Figure 22.	TPS65217C Block Diagram	37
Figure 23.	TPS65217 DC Connection	38
Figure 24.	USB Power Connections	39
Figure 25.	Power Rails	43
Figure 26.	Power Rail Power Up Sequencing	45
Figure 27.	TPS6517C Power Sequencing Timing	45
Figure 28.	Power Processor Interfaces	46
Figure 29.	Sitara XAM3359AZCZ Block Diagram	48
Figure 30.	DDR3L Memory Design	51
Figure 31.	DDR3L VREF Design	52
Figure 32.	eMMC Memory Design	54
Figure 33.	uSD Design	55
Figure 34.	User LEDs	56
Figure 35.	Processor Boot Configuration Design	57
Figure 36.	Processor Boot Configuration	58
Figure 37.	Ethernet Processor Interface	59
Figure 38.	Ethernet Connector Interface	60
Figure 39.	Ethernet PHY, Power, Reset, and Clocks	61
Figure 40.	Ethernet PHY Mode Pins	62
Figure 41.	HDMI Framer Processor Interface	64
Figure 42.	HDMI Power Connections	66
Figure 43.	Connector Interface Circuitry	67
Figure 44.	Expansion Connector Location	68
Figure 45.	5VDC Power Jack	73
Figure 46.	USB Client Connector	74
Figure 47.	USB Host Connector	75
Figure 48.	Serial Debug Header	76
Figure 49.	FTDI USB to Serial Adapter	76
Figure 50.	HDMI Connector	78
Figure 51.	HDMI Connector	78
Figure 52.	uSD Connector	79
Figure 53.	Ethernet Connector	80
Figure 54.	Expansion Board EEPROM Without Write Protect	84
Figure 55.	Expansion Board EEPROM Write Protect	86
Figure 56.	Expansion Boot Pins	92
Figure 57.	Single Expansion Connector	93
Figure 58.	Single Cape Expansion Connector	94

Figure 59.	Expansion Connector	94
Figure 60.	Stacked Cape Expansion Connector	95
Figure 61.	Stacked w/Signal Stealing Expansion Connector	96
Figure 62.	Connector Pin Insertion Depth.....	96
Figure 63.	Cape Board Dimensions	99
Figure 64.	Board Dimensions.....	102
Figure 65.	Component Side Silkscreen	103
Figure 66.	Component Side Silkscreen	104
Figure 67.	Top Side	105
Figure 68.	Bottom Side	106
Figure 69.	Bottom Side	108

Tables

Table 1.	Change History	12
Table 2.	BeagleBone Black Features	26
Table 3.	BeagleBone Black Battery Pins	40
Table 4.	BeagleBone Black Power Consumption(mA@5V).....	41
Table 5.	Processor Features	49
Table 6.	eMMC Boot Pins	54
Table 7.	User LED Control Signals/Pins	56
Table 8.	HDMI Supported Monitor Resolutions	63
Table 9.	TDA19988 I2C Address	65
Table 10.	Expansion Header P8 Pinout	70
Table 11.	Expansion Header P9 Pinout	72
Table 12.	P8 LCD Conflict Pins	82
Table 13.	P8 eMMC Conflict Pins.....	83
Table 14.	Expansion Board EEPROM.....	87
Table 15.	EEPROM Pin Usage	89
Table 16.	Single Cape Connectors.....	94
Table 17.	Stacked Cape Connectors	95
Table 18.	Expansion Voltages	97

1.0 Introduction

This document is the **System Reference Manual** for the BeagleBone Black and covers its use and design. The board will primarily be referred to in the remainder of this document simply as the board, although it may also be referred to as the BeagleBone Black as a reminder. There are also references to the original BeagleBone as well, and will be referenced as simply BeagleBone.

This design is subject to change without notice as we will work to keep improving the design as the product matures based on feedback and experience. Software updates will be frequent and will be independent of the hardware revisions and as such not result in a change in the revision number.

Make sure you check the support Wiki frequently for the most up to date information.

<http://circuitco.com/support/index.php?title=BeagleBoneBlack>

2.0 Change History

This section describes the change history of this document and board. Document changes are not always a result of a board change. But a board change will always result in a document change.

2.1 Document Change History

Table 1. Change History

Rev	Changes	Date	By
A4	Preliminary	January 4, 2013	GC
A5	Production release	January 8, 2013	GC
A5.1	<ol style="list-style-type: none"> Added information on Power button and the battery access points. Final production released version. 	April 1 2013	GC
A5.2	<ol style="list-style-type: none"> Edited version. Added numerous pictures of the Rev A5A board. 	April 23 2013	GC

2.2 Board Changes

2.2.1 Rev A5B

This is the initial production release of the board. We will be tracking changes from this point forward.

3.0 Connecting Up Your BeagleBone Black

This section provides instructions on how to hook up your board. Two scenarios will be discussed:

- 1) Tethered to a PC and
- 2) As a standalone development platform in a desktop PC configuration.

3.1 What's In the Box

In the box you will find three main items as shown in **Figure 1**.

- BeagleBone Black
- miniUSB to USB Type A Cable
- Instruction card

3

This is sufficient for the tethered scenario and creates an out of box experience where the board can be used immediately with no other equipment needed.



Figure 1. In The Box

3.2 Main Connection Scenarios

This section will describe how to connect the board for use. This section is basically a slightly more detailed description of the Quick Start Guide that came in the box. There is also a Quick Start Guide document on the board that should also be referred. The intent here is that someone looking to purchase the board will be able to read this section and get a good idea as to what the initial set up will be like.

The board can be configured in several different ways, but we will discuss the two most common scenarios as described in the Quick Start Guide card that comes in the box.

- Tethered to a PC via the USB cable
 - Board is accessed as a storage drive
 - Or a RNDIS Ethernet connection.
- Standalone desktop
 - Display
 - Keyboard and mouse
 - External 5V power supply

Each of these configurations is discussed in general terms in the following sections.

For an up-to-date list of confirmed working accessories please go to http://circuitco.com/support/index.php?title=BeagleBone_Black_Accessories

3.3 Tethered To A PC

In this configuration, the board is powered by the PC via the provided USB cable--no other cables are required. The board is accessed either as a USB storage drive or via the browser on the PC. You need to use either Firefox or Chrome on the PC, IEx will not work properly. **Figure 2** shows this configuration.

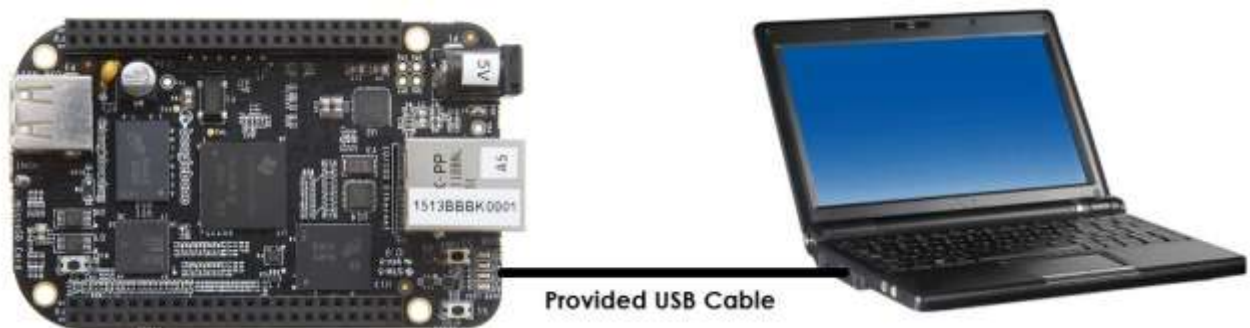


Figure 2. Tethered Configuration

All the power for the board is provided by the PC via the USB cable. In some instances, the PC may not be able to supply sufficient power for the board. In that case, an external 5VDC power supply can be used, but this should rarely be necessary.

3.3.1 Connect the Cable to the Board

1. Connect the small connector on the USB cable to the board as shown in **Figure 4**. The connector is on the bottom side of the board.



Figure 3. USB Connection to the Board

2. Connect the large connector of the USB cable to your PC or laptop USB port.
3. The board will power on and the power LED will be on as shown in **Figure 4** below.

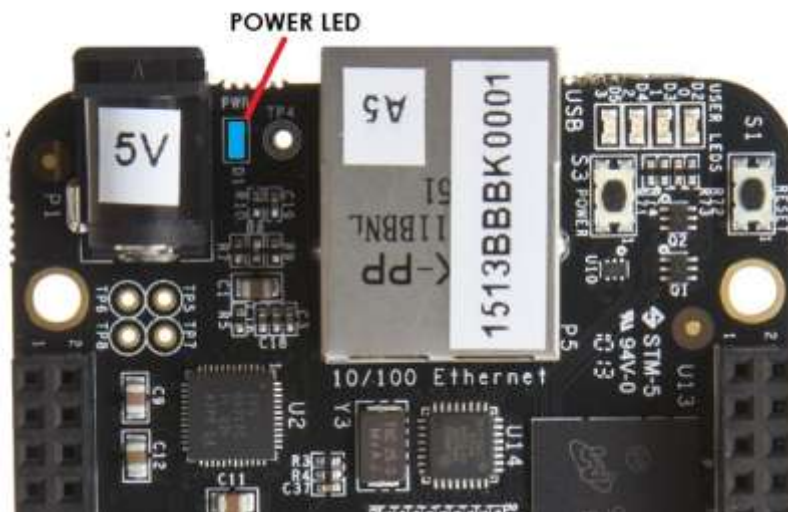


Figure 4. Board Power LED

- When the board starts to boot the LEDs will come on in sequence as shown in **Figure 5** below. It will take a few seconds for the status LEDs to come on, so be patient. The LEDs will be flashing in an erratic manner as it boots the Linux kernel.



Figure 5. Board Boot Status

3.3.2 Accessing the Board as a Storage Drive

The board will appear around a USB Storage drive on your PC after the kernel has booted, which will take a round 10 seconds. The kernel on the board needs to boot before the port gets enumerated. Once the board appears as a storage drive, do the following:

- Open the USB Drive folder.
- Click on the file named **start.html**
- The file will be opened by your browser on the PC and you should get a display showing the Quick Start Guide.
- Your board is now operational! Follow the instructions on your PC screen.

3.4 Standalone w/Display and Keyboard/Mouse

In this configuration, the board works more like a PC, totally free from any connection to a PC as shown in **Figure 6**. It allows you to create your code to make the board do whatever you need it to do. It will however require certain common PC accessories. These accessories and instructions are described in the following section.



Figure 6. Desktop Configuration

Optionally an Ethernet cable can also be used for network access.

3.4.1 Required Accessories

In order to use the board in this configuration, you will need the following accessories:

- (1) 5VDC 1A power supply
- (1) HDMI monitor or a DVI-D monitor with an adapter. (**NOTE:** Only HDMI will give you audio capability).
- (1) Micro HDMI to HDMI cable
- (1) USB wireless keyboard and mouse combo.
- (1) USB HUB (OPTIONAL). The board has only one USB host port, so you may need to use a USB Hub if your keyboard and mouse requires two ports.

For an up-to-date list of confirmed working accessories please go to http://circuitco.com/support/index.php?title=BeagleBone_Black_Accessories

3.4.2 Connecting Up the Board

1. Connect the big end of the HDMI cable as shown in **Figure 7** to your HDMI monitor. Refer to your monitor Owner's Manual for the location of your HDMI port. If you have a DVI-D Monitor go to **Step 3**, otherwise proceed to **Step 4**.



Figure 7. Connect microHDMI Cable to the Monitor

NOTE: Do not plug in the cable to the board until after the board is powered up.

2. If you have a DVI-D monitor you must use a DVI-D to HDMI adapter in addition to your HDMI cable. An example is shown in **Figure 8** below from two perspectives.



Figure 8. DVI-D to HDMI Adapter

3. If you have a single wireless keyboard and mouse combination such as seen in Figure 9 below, you need to plug the receiver in the USB host port of the board as shown in Figure 10.



Figure 9. Wireless Keyboard and Mouse Combo

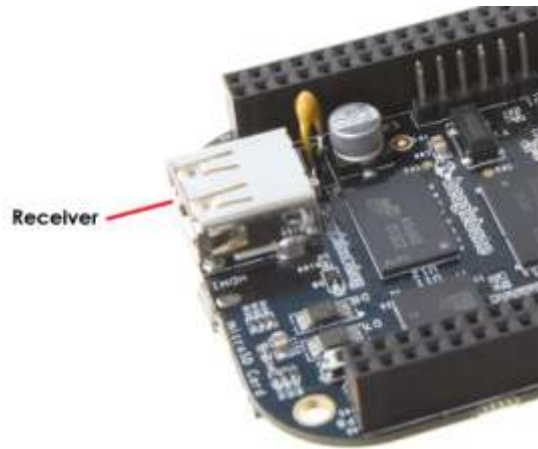


Figure 10. Connect Keyboard and Mouse Receiver to the Board

If you have a wired USB keyboard requiring two USB ports, you will need a HUB similar to the ones shown in Figure 11. You may want to have more than one port for other devices. Note that the board can only supply up to 500mA, so if you plan to load it down, it will need to be externally powered.



Figure 11. Keyboard and Mouse Hubs

4. Connect the Ethernet Cable

If you decide you want to connect to your local area network, an Ethernet cable can be used. Connect the Ethernet Cable to the Ethernet port as shown in **Figure 12**. Any standard 100M Ethernet cable should work.



Figure 12. Ethernet Cable Connection

5. Apply Power

The final step is to plug in the DC power supply to the DC power jack as shown in **Figure 13** below.

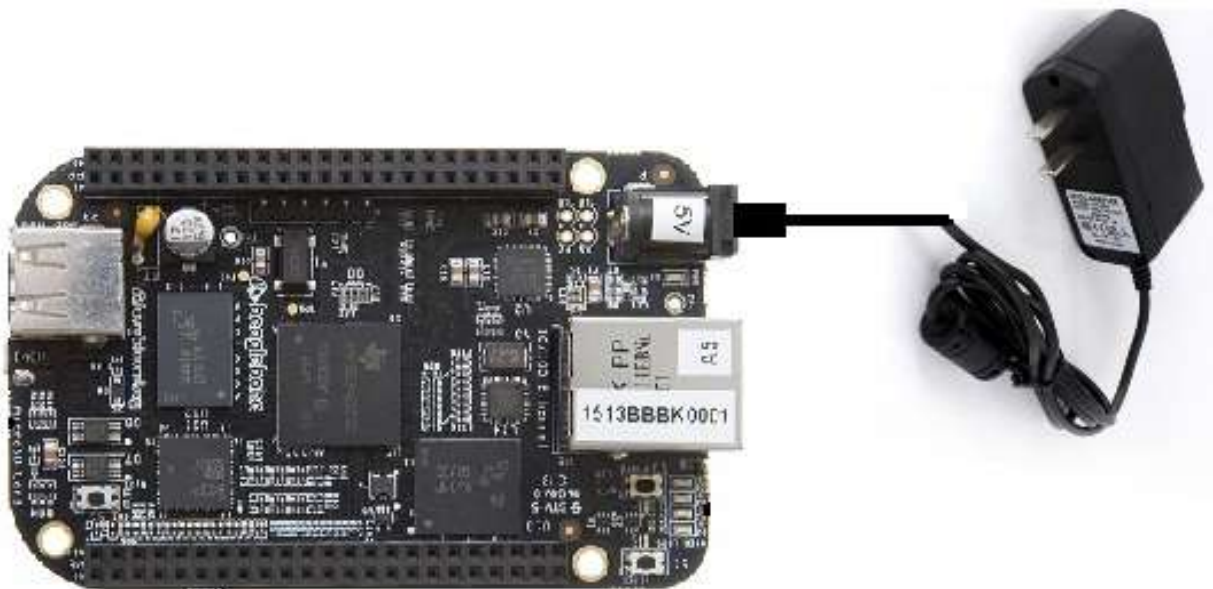


Figure 13. External DC Power

- The cable needed to connect to your display is a microHDMI to HDMI. Connect the microHDMI connector end to the board at this time. The connector is on the bottom side of the board as shown in **Figure 14** below.



Figure 14. Connect microHDMI Cable to the Board

The connector is fairly robust, but we suggest that you not use the cable as a leash for your Beagle. Take proper care not to put too much stress on the connector or cable.

- Booting the Board

As soon as the power is applied to the board, it will start the booting up process. When the board starts to boot the LEDs will come on in sequence as shown in **Figure 15** below. It will take a few seconds for the status LEDs to come on, so be patient. The LEDs will be flashing in an erratic manner as it boots the Linux kernel.

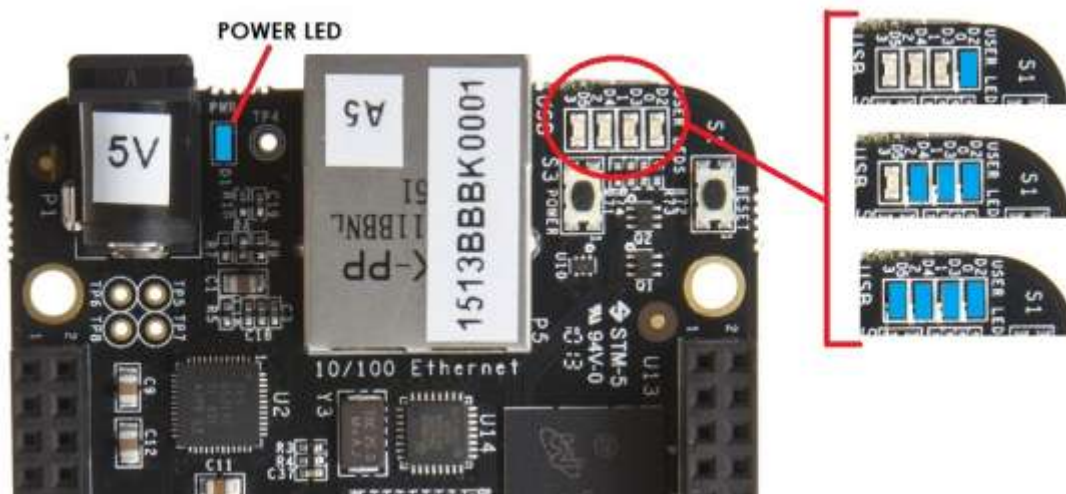


Figure 15. Board Boot Status

While the four user LEDs can be over written and used as desired, they do have specific meanings in the image that is shipped with the board once the Linux kernel has booted.

- **USER0** is the heartbeat indicator from the Linux kernel.
- **USER1** turns on when the SD card is being accessed
- **USER2** is an activity indicator. It turns on when the kernel is not in the idle loop.
- **USER3** turns on when the onboard eMMC is being accessed.

8. A Booted System

1. The board will have a mouse pointer appear on the screen as it enters the Linux boot step. You may have to move the physical mouse to get the mouse pointer to appear. The system can come up in the suspend mode with the HDMI port in a sleep mode.
2. After a minute or two a login screen will appear. You do not have to do anything at this point.
3. After a minute or two the desktop will appear. It should be similar to the one shown in **Figure 16**. HOWEVER, it will change from one release to the next, so do not expect your system to look exactly like the one in the figure, but it will be very similar.
4. And at this point you are ready to go! **Figure 16** shows the desktop after booting.

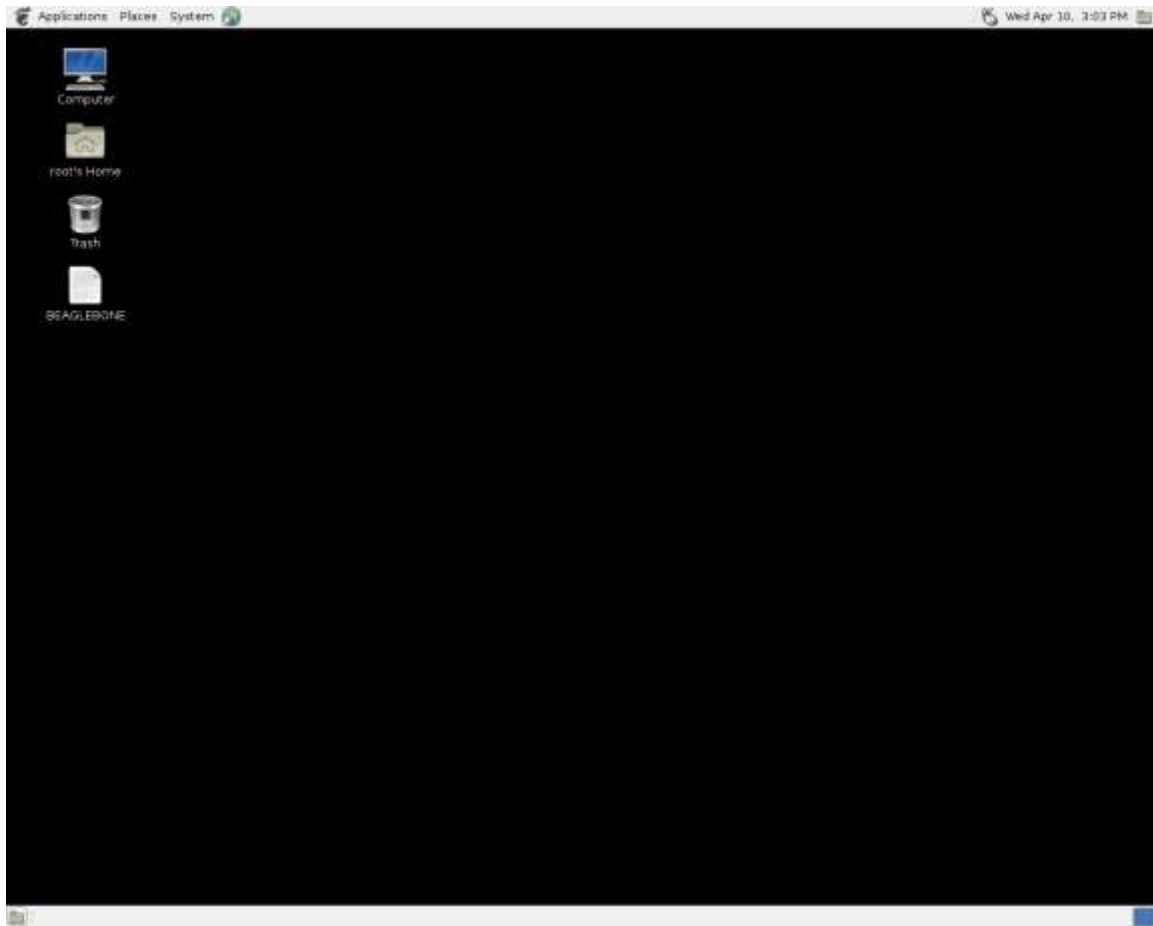


Figure 16. Desktop Screen

NOTE: At press time this is what the default screen looks like. If you see something different, do not be alarmed. It is intended. Once the final screen is finalized, this document will be updated and available for download.

4.0 BeagleBone Black Overview

The BeagleBone Black is the latest addition to the BeagleBoard.org family and like its predecessors, is designed to address the Open Source Community, early adopters, and anyone interested in a low cost ARM Cortex-A8 based processor.

It has been equipped with a minimum set of features to allow the user to experience the power of the processor and is not intended as a full development platform as many of the features and interfaces supplied by the processor are not accessible from the BeagleBone Black via onboard support of some interfaces. It is not a complete product designed to do any particular function. It is a foundation for experimentation and learning how to program the processor and to access the peripherals by the creation of your own software and hardware.

It also offers access to many of the interfaces and allows for the use of add-on boards called capes, to add many different combinations of features. A user may also develop their own board or add their own circuitry.

BeagleBone Black is manufactured and warranted by Circuitco LLC in Richardson Texas for the benefit of the community and its supporters. In addition, Circuitco provides the RMA support for the BeagleBone Black.

Jason Kridner of Texas Instruments handles the community promotions and is the spokesmen for BeagleBoard.org.

The board is designed by Gerald Coley, an employee of Texas Instruments and a charter member of the BeagleBoard.org community.

The PCB layout was done by Circuitco and Circuitco is the sole funder of its development and transition to production.

The Software is written and supported by the thousands of community members, including Jason Kridner, employees of Texas Instruments, DigiKey, and Circuitco.

4.1 BeagleBone Compatibility

The board is intended to be compatible with the original BeagleBone as much as possible. There are several areas where there are differences between the two designs. These differences are listed below, along with the reasons for the differences.

- Sitara XAM3359AZCZ100, 1GHZ, processor.
 - Sorry, we just had to make it faster.
- 512MB DDR3L
 - Cost reduction
 - Performance boost
 - Memory size increase
 - Lower power
- No Serial port by default.
 - Cost reduction
 - Can be added by buying a TTL to USB Cable that is widely available
 - Single most cost reduction action taken
- No JTAG emulation over USB.
 - Cost reduction
 - JTAG header is not populated, but can easily be mounted.
- Onboard Managed NAND (eMMC)
 - 2GB
 - Cost reduction
 - Performance boost x8 vs. x4 bits
 - Performance boost due to deterministic properties vs. SD card
- GPMC bus may not be accessible from the expansion headers in some cases
 - Result of eMMC on the main board
 - Signals are still routed to the expansion connector
 - If eMMC is not used, signals can be used via expansion if eMMC is held in reset
- There may be 10 less GPIO pins available
 - Result of eMMC
 - If eMMC is not used, could still be used
- The power expansion header, for battery and backlight, has been removed
 - Cost reduction
 - Space reduction
 - Four pins were added to provide access to the battery charger function.
- HDMI interface onboard
 - Feature addition
 - Audio and video capable
 - Micro HDMI
- No three function USB cable
 - Cost reduction

4.2 BeagleBone Black Features and Specification

This section covers the specifications and features of the board and provides a high level description of the major components and interfaces that make up the board.

Table 2 provides a list of the features.

Table 2. BeagleBone Black Features

	Feature	
Processor	Sitara AM3359AZCZ100	
Graphics Engine	1GHz, 2000 MIPS	
SDRAM Memory	SGX530 3D, 20M Polygons/S	
Onboard Flash	512MB DDR3L 606MHZ	
PMIC	2GB, 8bit Embedded MMC	
Debug Support	TPS65217C PMIC regulator and one additional LDO.	
Power Source	Optional Onboard 20-pin CTI JTAG, Serial Header	
PCB	miniUSB USB or DC Jack	5VDC External Via Expansion Header
Indicators	3.4" x 2.1"	6 layers
HS USB 2.0 Client Port	1-Power, 2-Ethernet, 4-User Controllable LEDs	
HS USB 2.0 Host Port	Access to USB0, Client mode via miniUSB	
Serial Port	Access to USB1, Type A Socket, 500mA LS/FS/HS	
Ethernet	UART0 access via 6 pin 3.3V TTL Header. Header is populated	
SD/MMC Connector	10/100, RJ45	
User Input	microSD , 3.3V	
Video Out	Reset Button Boot Button Power Button	
Audio	16b HDMI, 1280x1024 (MAX) 1024x768, 1280x720, 1440x900 w/EDID Support	
Expansion Connectors	Via HDMI Interface, Stereo	
Weight	Power 5V, 3.3V , VDD_ADC(1.8V) 3.3V I/O on all signals	
Power	McASP0, SPI1, I2C, GPIO(65), LCD, GPMC, MMC1, MMC2, 7 AIN(1.8V MAX), 4 Timers, 3 Serial Ports, CAN0, EHRPWM(0,2), XDMA Interrupt, Power button, Expansion Board ID (Up to 4 can be stacked)	
	1.4 oz (39.68 grams)	
	Refer to Section 6.1.7	

4.3 Board Component Locations

This section describes the key components on the board. It provides information on their location and function. Familiarize yourself with the various components on the board.

4.3.1 Connectors, LEDs, and Switches

Figure 17 below shows the locations of the connectors, LEDs, and switches on the PCB layout of the board.

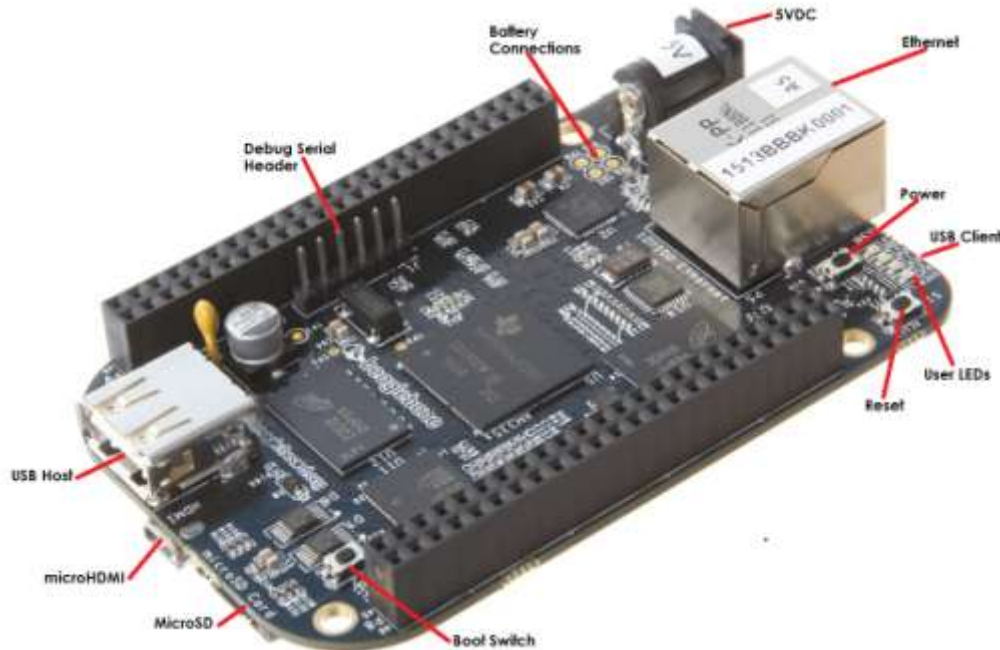


Figure 17. Connectors, LEDs and Switches

- **DC Power** is the main DC input that accepts 5V power.
- **Power Button** alerts the processor to initiate the power down sequence.
- **10/100 Ethernet** is the connection to the LAN.
- **Serial Debug** is the serial debug port.
- **USB Client** is a miniUSB connection to a PC that can also power the board.
- **BOOT switch** can be used to force a boot from the SD card.
- There are four blue **LEDS** that can be used by the user.
- **Reset Button** allows the user to reset the processor.
- **uSD** slot is where a uSD card can be installed.
- **microHDMI** connector is where the display is connected to.
- **USB Host** can be connected different USB interfaces such as Wi-Fi, BT, Keyboard, etc.

4.3.2 Key Components

Figure 18 below shows the locations of the key components on the PCB layout of the board.

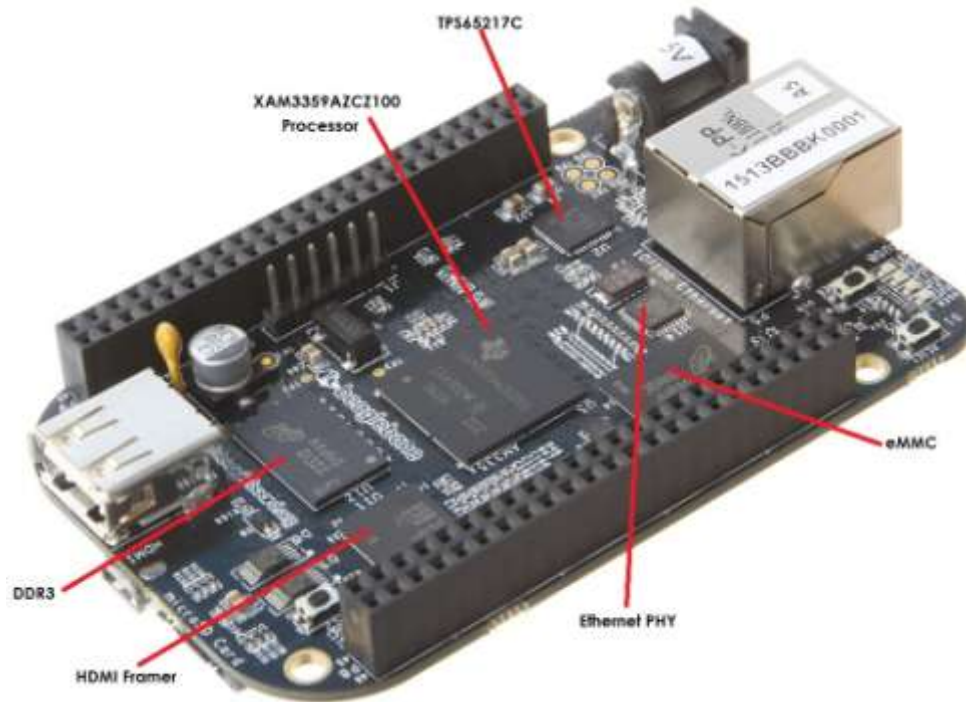


Figure 18. Key Components

- **Sitara AM3359AZCZ100** is the processor for the board.
- **Micron 512MB DDR3L** is the Dual Data Rate RAM memory.
- **TPS65217C** PMIC provides the power rails to the various components on the board.
- **SMSC Ethernet PHY** is the physical interface to the network.
- **Micron eMMC** is an onboard MMC chip that holds up to 2GB of data.
- **HDMI Framer** provides control for an HDMI or DVI-D display with an adapter.

5.0 BeagleBone Black High Level Specification

This section provides the high level specification of the BeagleBone Black.

5.1 Block Diagram

Figure 19 below is the high level block diagram of the BeagleBone Black.

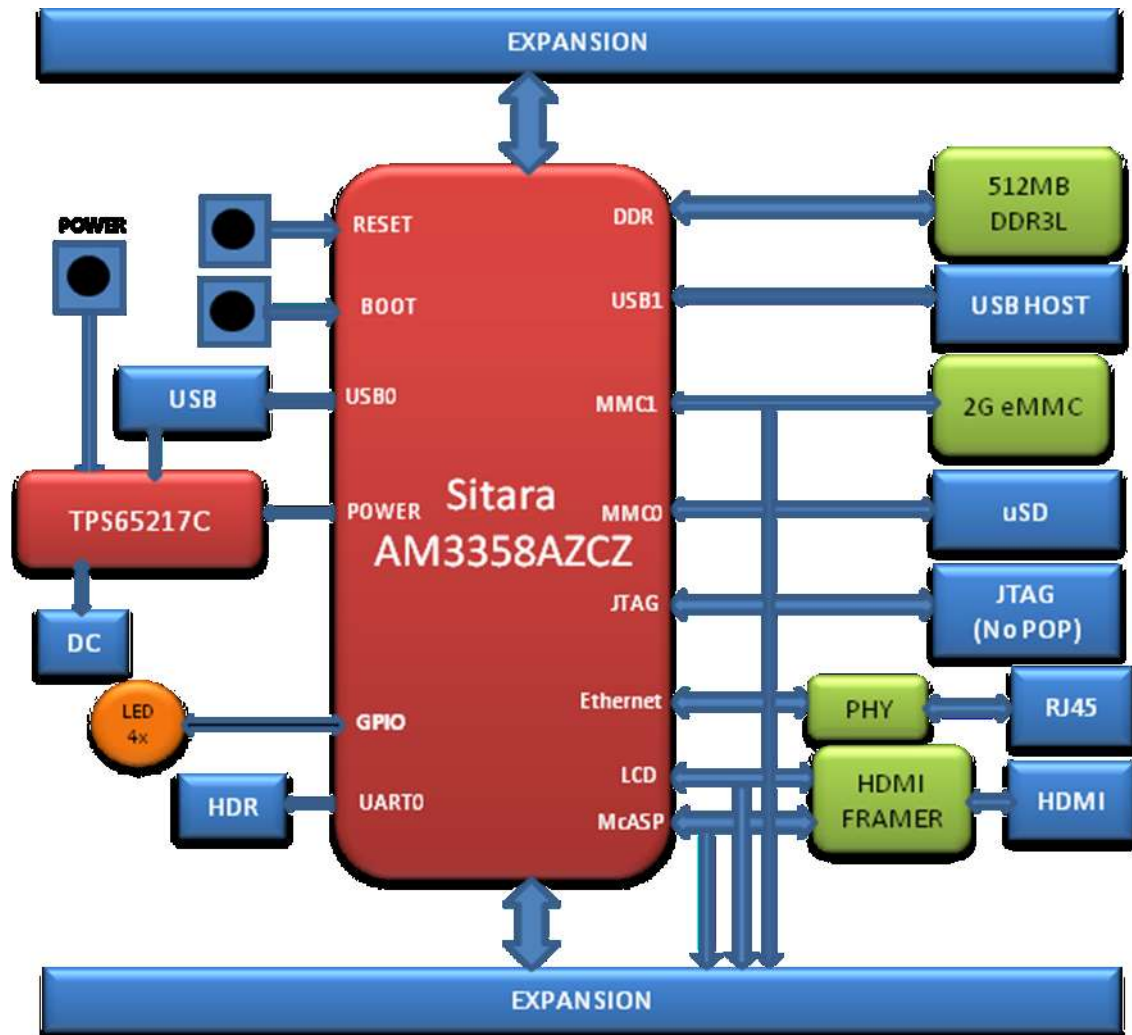


Figure 19. BeagleBone Black Key Components

5.2 Processor

For the initial release, the board uses the Sitara XAM3359AZCZ processor in the 15x15 package. This is basically the same processor as used on the original BeagleBone. It does use the updated 2.0 revision with several fixes on this new processor as opposed to the original BeagleBone. A couple of important features from this new processor include:

- 1GHZ Operation
- RTC fix

Eventually the board will move to the Sitara AM3358BZCZ100 device once released and readily available from TI. At this time we do not have a date when this will happen. We do not expect any benefit from moving to this device and there should be no impact seen as a result of making this move,

5.3 Memory

Described in the following sections are the three memory devices found on the board.

5.3.1 512MB DDR3L

A single 256Mb x16 DDR3L 4Gb (512MB) memory device is used. The memory used is the MT41K512M16HA-125 from Micron. It will operate at a clock frequency of 303MHz yielding an effective rate of 606MHZ on the DDR3L bus allowing for 1.32GB/S of DDR3L memory bandwidth.

5.3.2 32KB EEPROM

A single 32KB EEPROM is provided on I2C0 that holds the board information. This information includes board name, serial number, and revision information. This will be the same as found on the original BeagleBone. It has a test point to allow the device to be programmed and otherwise to provide write protection when not grounded.

5.3.3 2GB Embedded MMC

A single 2GB embedded MMC (eMMC) device is on the board. The device connects to the MMC1 port of the processor, allowing for 8bit wide access. Default boot mode for the board will be MMC1 with an option to change it to MMC0 for SD card booting. MMC0 cannot be used in 8Bit mode because the lower data pins are located on the pins used by the Ethernet port. This does not interfere with SD card operation but it does make it unsuitable for use as an eMMC port if the 8 bit feature is needed.

5.3.4 MicroSD Connector

The board is equipped with a single microSD connector to act as the secondary boot source for the board and, if selected as such, can be the primary boot source. The

connector will support larger capacity SD cards. The SD card is not provided with the board. Booting from MMC0 will be used to flash the eMMC in the production environment or can be used by the user to update the SW as needed.

5.3.5 Boot Modes

As mentioned earlier, there are four boot modes:

- **eMMC Boot...**This is the default boot mode and will allow for the fastest boot time and will enable the board to boot out of the box using the pre-flashed OS image without having to purchase an SD card or an SD card writer.
- **SD Boot...**This mode will boot from the uSD slot. This mode can be used to override what is on the eMMC device and can be used to program the eMMC when used in the manufacturing process or for field updates.
- **Serial Boot...**This mode will use the serial port to allow downloading of the software direct. A separate USB to serial cable is required to use this port.
- **USB Boot...**This mode supports booting over the USB port.

**Software to support USB and serial boot modes is not provided by beagleboard.org.
Please contact TI for support of this feature.**

A switch is provided to allow switching between the modes.

- ❖ Holding the boot switch down during boot without a SD card inserted will force the boot source to be the USB port and if nothing is detected on the USB client port, it will go to the serial port for download.
- ❖ Without holding the switch, the board will boot from eMMC. If it is empty, then it will try booting from the uSD slot, followed by the serial port, and then the USB port.
- ❖ If you hold the boot switch down during boot, and you have a uSD card inserted with a bootable image, the board will boot from the uSD card.

5.4 Power Management

The **TPS65217C** power management device is used along with a separate LDO to provide power to the system. The **TPS65217C** version provides for the proper voltages required for the DDR3L. This is the same device as used on the original BeagleBone with the exception of the power rail configuration settings which will be changed in the internal EEPROM to the TPS65217 to support the new voltages.

DDR3L requires 1.5V instead of 1.8V on the DDR2 as is the case on the original BeagleBone. The 1.8V regulator setting has been changed to 1.5V for the DDR3L. The LDO3 3.3V rail has been changed to 1.8V to support those rails on the processor. LDO4 is still 3.3V for the 3.3V rails on the processor. An external **LDOTLV70233** provides the 3.3V rail for the rest of the board.

5.5 PC USB Interface

The board has a miniUSB connector that connects the USB0 port to the processor. This is the same connector as used on the original BeagleBone.

5.6 Serial Debug Port

Serial debug is provided via UART0 on the processor via a single 1x6 pin header. In order to use the interface a USB to TTL adapter will be required. The header is compatible with the one provided by FTDI and can be purchased for about \$12 to \$20 from various sources. Signals supported are TX and RX. None of the handshake signals are supported.

5.7 USB1 Host Port

On the board is a single USB Type A female connector with full LS/FS/HS Host support that connects to USB1 on the processor. The port can provide power on/off control and up to 500mA of current at 5V. Under USB power, the board will not be able to supply the full 500mA, but should be sufficient to supply enough current for a lower power USB device supplying power between 50 to 100mA.

You can use a wireless keyboard/mouse configuration or you can add a HUB for standard keyboard and mouse interfacing.

5.8 Power Sources

The board can be powered from four different sources:

- A USB port on a PC
- A 5VDC 1A power supply plugged into the DC connector.
- A power supply with a USB connector.
- Expansion connectors

The USB cable is shipped with each board. This port is limited to 500mA by the Power Management IC. It is possible to change the settings in the TPS65217C to increase this current, but only after the initial boot. And, at that point the PC most likely will complain, but you can also use a dual connector USB cable to the PC to get to 1A.

The power supply is not provided with the board but can be easily obtained from numerous sources. A 1A supply is sufficient to power the board, but if there is a cape plugged into the board or you have a power hungry device or hub plugged into the host port, then more current may be needed from the DC supply.

Power routed to the board via the expansion header could be provided from power derived on a cape. The DC supply should be well regulated and 5V +/- .25V.

5.9 Reset Button

When pressed and released, causes a reset of the board. The reset button used on the BeagleBone Black is a little larger than the one used on the original BeagleBone. It has also been moved out to the edge of the board so that it is more accessible.

5.10 Power Button

A power button is provided near the reset button close to the Ethernet connector. This button takes advantage of the input to the PMIC for power down features. While a lot of capes have a button, it was decided to add this feature to the board to insure everyone had access to some new features. These features include:

- Interrupt is sent to the processor to facilitate an orderly shutdown to save files and to un-mount drives.
- Provides ability to let processor put board into a sleep mode to save power.
- Can alert processor to wake up from sleep mode and restore state before sleep was entered.
- Allows board to enter the sleep mode, preserving the RTC clock

If you hold the button down longer than 8 seconds, the board will power off if you release the button when the power LED turns off. If you continue to hold it, the board will power back up completing a power cycle.

5.11 Indicators

There are a total of five blue LEDs on the board.

- One blue power LED indicates that power is applied and the power management IC is up. If this LED flashes when applying power, it means that an excess current flow was detected and the PMIC has shut down.
- Four blue LEDs that can be controlled via the SW by setting GPIO pins.

In addition, there are two LEDs on the RJ45 to provide Ethernet status indication. One is yellow (100M Link up if on) and the other is green (Indicating traffic when flashing).

5.12 CTI JTAG Header

A place for an optional 20 pin CTI JTAG header is provided on the board to facilitate the SW development and debugging of the board by using various JTAG emulators. This

header is not supplied standard on the board. To use this, a connector will need to be soldered onto the board.

5.13 HDMI Interface

A single HDMI interface is connected to the 16 bit LCD interface on the processor. The 16b interface was used to preserve as many expansion pins as possible to allow for use by the user. The NXP TDA19988BHN is used to convert the LCD interface to HDMI and convert the audio as well. The signals are still connected to the expansion headers to enable the use of LCD expansion boards or access to other functions on the board as needed.

The HDMI device does not support HDCP copy protection. Support is provided via EDID to allow the SW to identify the compatible resolutions. Currently the following resolutions are supported via the software:

- 1280 x 1024
- 1440 x 900
- 1024 x 768
- 1280 x 720

5.14 Cape Board Support

The BeagleBone Black has the ability to accept up to four expansion boards or capes that can be stacked onto the expansion headers. The word cape comes from the shape of the board as it is fitted around the Ethernet connector on the main board. This notch acts as a key to insure proper orientation of the cape.

The majority of capes designed for the original BeagleBone will work on the BeagleBone Black. The two main expansion headers will be populated on the board. There are a few exceptions where certain capabilities may not be present or are limited to the BeagleBone Black. These include:

- GPMC bus may NOT be available due to the use of those signals by the eMMC. If the eMMC is used for booting only and the file system is on the SD card, then these signals could be used.
- Another option is to use the SD or serial boot modes and not use the eMMC.
- The power expansion header is not on the BeagleBone Black so those functions are not supported.

For more information on cape support refer to [Section 9.0](#).

6.0 Detailed Hardware Design

This section provides a detailed description of the Hardware design. This can be useful for interfacing, writing drivers, or using it to help modify specifics of your own design.

Figure 20 below is the high level block diagram of the board.

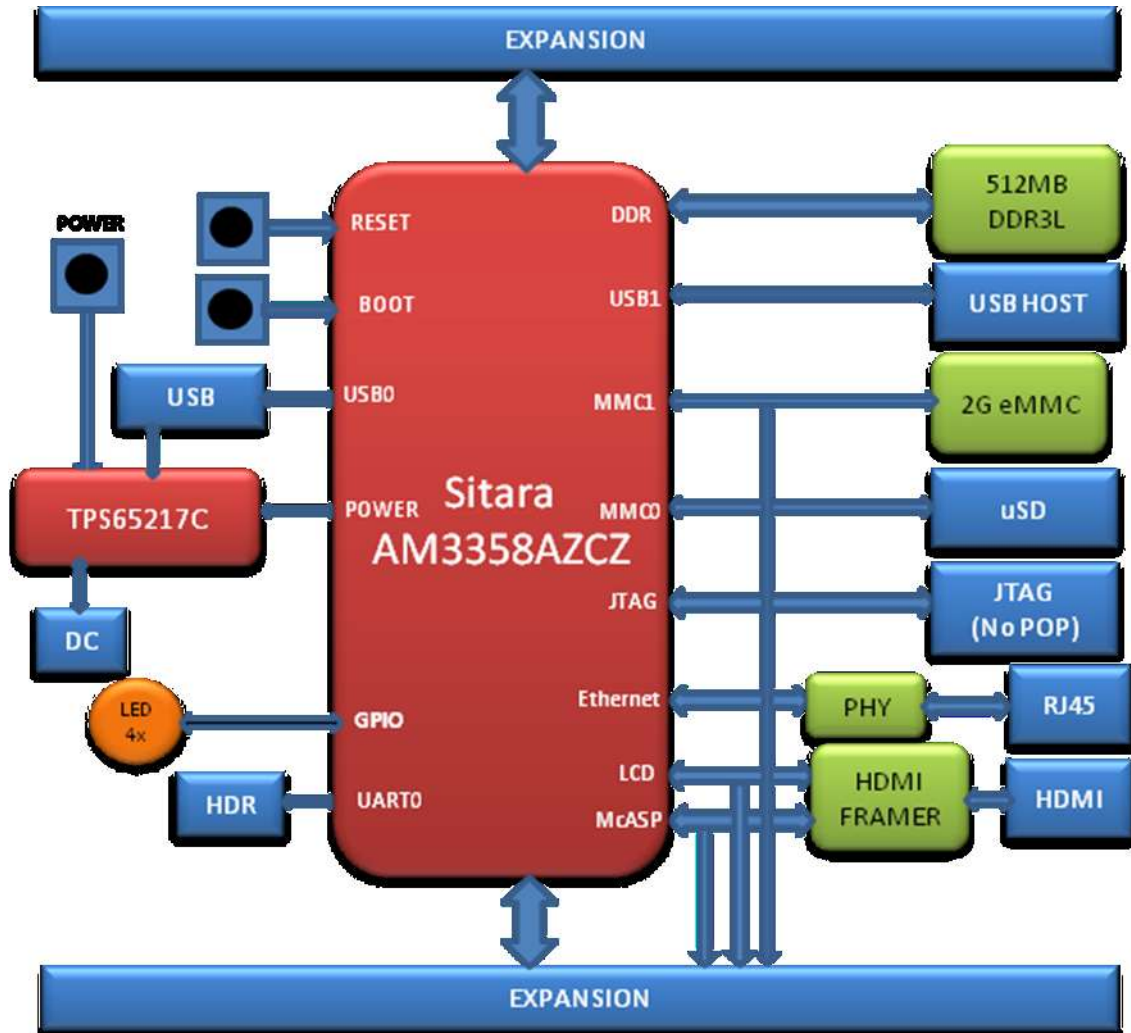


Figure 20. BeagleBone Black Block Diagram

6.1 Power Section

Figure 21 is the high level block diagram of the power section of the board.

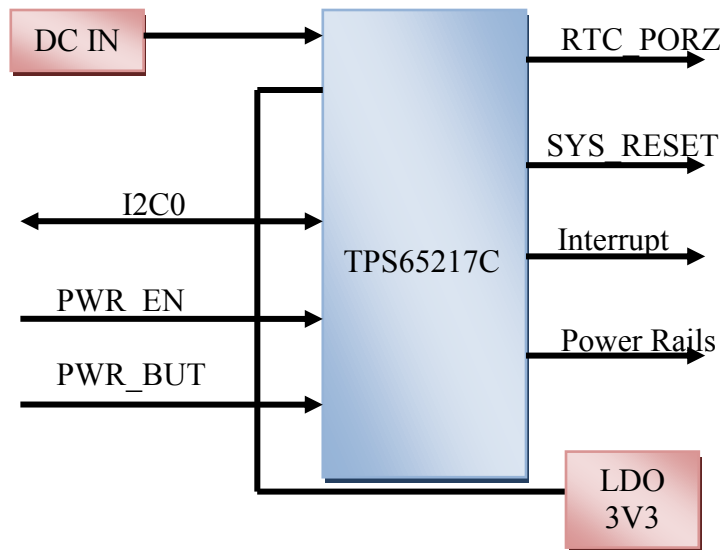


Figure 21. High Level Power Block Diagram

This section describes the power section of the design and all the functions performed by the **TPS65217C**.

6.1.1 TPS65217C PMIC

The main Power Management IC (PMIC) in the system is the **TPS65217C** which is a single chip power management IC consisting of a linear dual-input power path, three step-down converters, and four LDOs. The system is supplied by a USB port or DC adapter. Three high-efficiency 2.25MHz step-down converters are targeted at providing the core voltage, MPU, and memory voltage for the board.

The step-down converters enter a low power mode at light load for maximum efficiency across the widest possible range of load currents. For low-noise applications the devices can be forced into fixed frequency PWM using the I²C interface. The step-down converters allow the use of small inductors and capacitors to achieve a small footprint solution size.

LDO1 and LDO2 are intended to support system standby mode. In normal operation, they can support up to 100mA each. LDO3 and LDO4 can support up to 285mA each.

By default only LDO1 is always ON but any rail can be configured to remain up in SLEEP state. In particular the DCDC converters can remain up in a low-power PFM mode to support processor suspend mode. The **TPS65217C** offers flexible power-up and

power-down sequencing and several house-keeping functions such as power-good output, pushbutton monitor, hardware reset function and temperature sensor to protect the battery.

For more information on the TPS65217C, refer to <http://www.ti.com/product/tps65217C>.

Figure 22 is the high level block diagram of the TPS65217C.

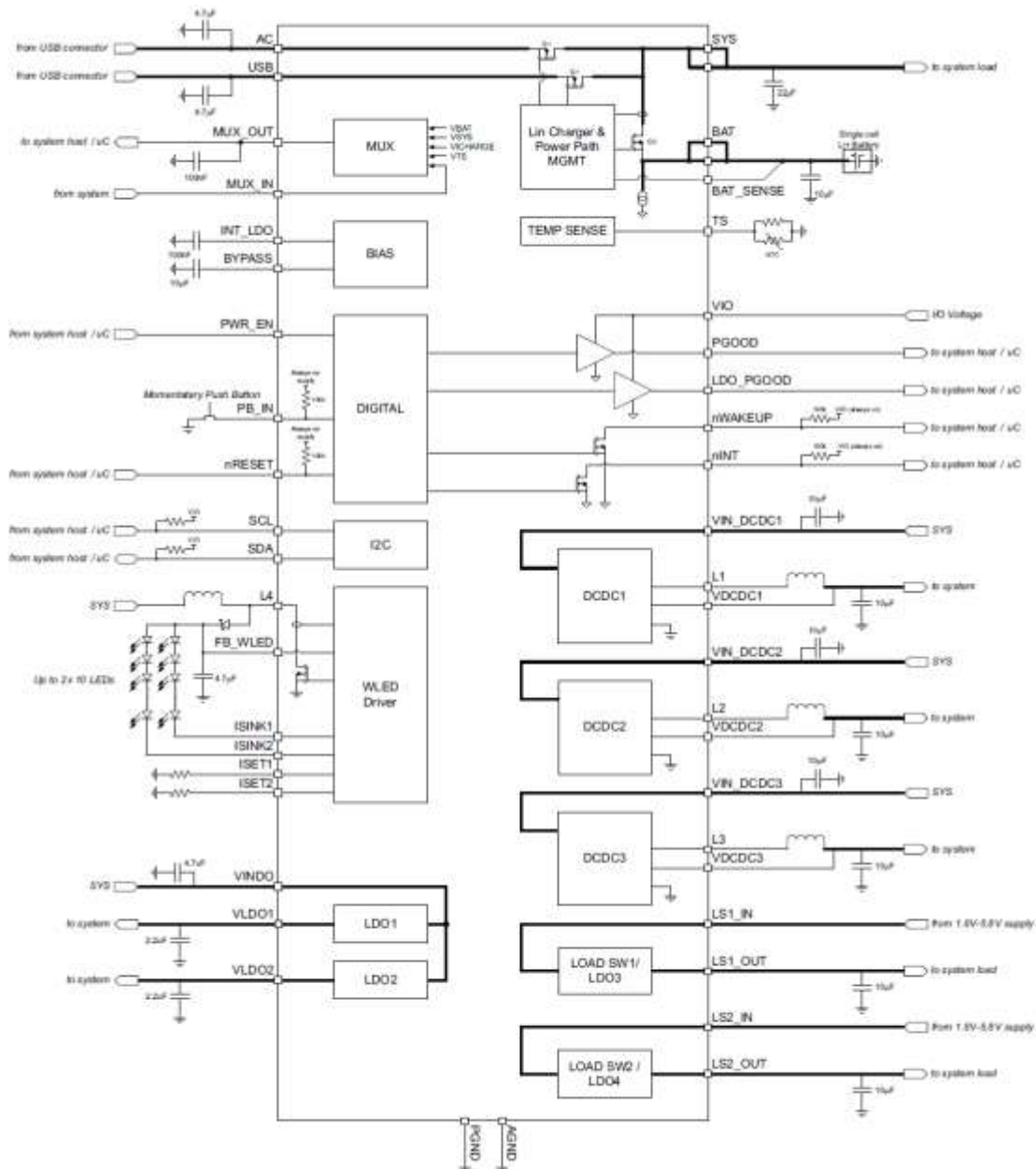


Figure 22. TPS65217C Block Diagram

6.1.2 DC Input

Figure 23 below shows how the DC input is connected to the TPS65217C.

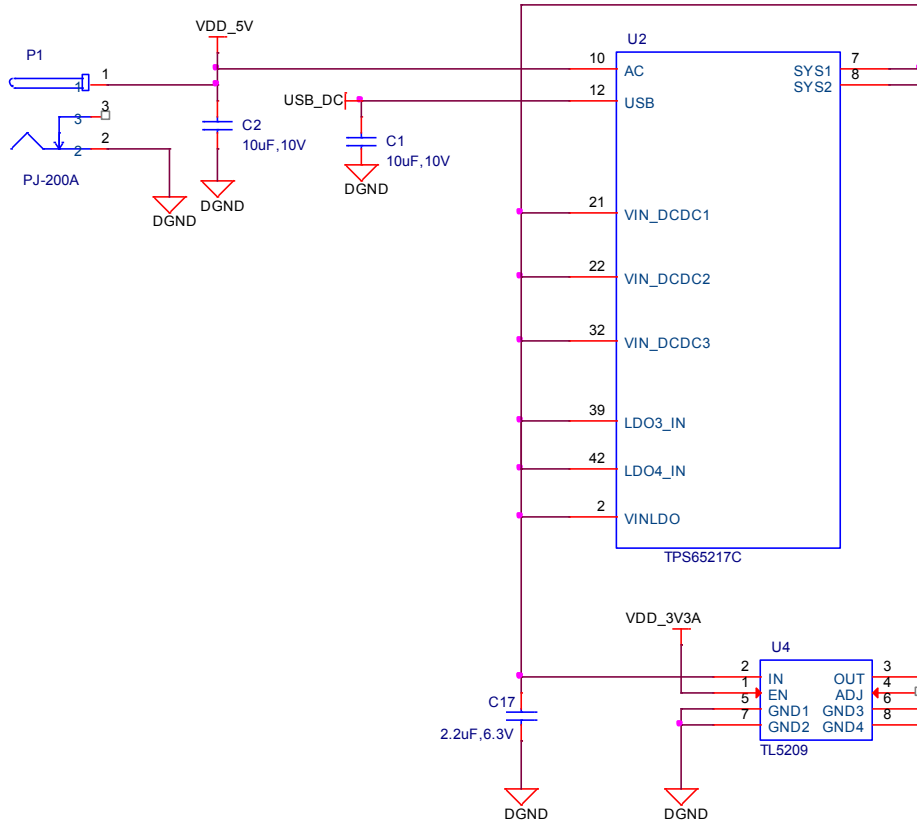


Figure 23. TPS65217 DC Connection

A 5VDC supply can be used to provide power to the board. The power supply current depends on how many and what type of add-on boards are connected to the board. For typical use, a 5VDC supply rated at 1A should be sufficient. If heavier use of the expansion headers or USB host port is expected, then a higher current supply will be required.

The connector used is a 2.1MM center positive x 5.5mm outer barrel. The 5VDC rail is connected to the expansion header. It is possible to power the board via the expansion headers from an add-on card. The 5VDC is also available for use by the add-on cards when the power is supplied by the 5VDC jack on the board.

6.1.5 Power Button

A power button is connected to the input of the **TPS65217C**. This is a momentary switch, the same type of switch used for reset and boot selection on the board.

If you push the button the **TPS65217C** will send an interrupt to the processor. It is up to the processor to then pull the **PMIC_EN** pin low at the correct time to power down the board. At this point, the PMIC is still active, assuming that the power input was not removed. Pressing the power button will cause the board to power up again if the processor puts the board in the power off mode.

In power off mode, the RTC rail is still active, keeping the RTC powered and running off the main power input. If you remove that power, then the RTC will not be powered. You also have the option of using the battery holes on the board to connect a battery if desired as discussed in the next section.

If you push and hold the button for greater than 8 seconds, the PMIC will power down. But you must release the button when the power LED turns off. Holding the button past that point will cause the board to power cycle.

6.1.6 Battery Access Pads

Four pads are provided on the board to allow access to the battery pins on the **TPS65217C**. The pads can be loaded with a 4x4 header or you may just wire a battery into the pads. In addition they could provide access via a cape if desired. The four signals are listed below in **Table 3**.

Table 3. BeagleBone Black Battery Pins

PIN	DESIGNATION	FUNCTION
BAT	TP5	Battery connection point.
SENSE	TP6	Battery voltage sense input, connect to BAT directly at the battery terminal.
TS	TP7	Temperature sense input. Connect to NTC thermistor to sense battery temperature.
GND	TP8	System ground.

There is no fuel gauge function provide by the **TPS65217C**. That would need to be added if that function was required. Access to 1-wire SPI, or I2C interfaces required to use a fuel gauge will need to be accessed by using the expansion headers on the board.

NOTE: Refer to the TPS65217C documentation before connecting anything to these pins.



6.1.7 Power Consumption

The power consumption of the board varies based on power scenarios and the board boot processes. Measurements were taken with the board in the following configuration:

- DC powered and USB powered
- HDMI monitor connected
- USB HUB
- 4GB Thumbdrive
- Ethernet connected @ 100M
- Serial debug cable connected

Table 4 is an analysis of the power consumption of the board in these various scenarios.

Table 4. BeagleBone Black Power Consumption(mA@5V)

MODE	USB	DC	DC+USB
Reset	TBD	TBD	TBD
Idling @ UBoot	210	210	210
Kernel Booting (Peak)	460	460	460
Kernel Idling	350	350	350
Kernel Idling Display Blank	280	280	280
Loading a Webpage	430	430	430

The current will fluctuate as various activates occur, such as the LEDs on and uSD/eMMC accesses.

6.1.8 Processor Interfaces

The processor interacts with the **TPS65217C** via several different signals. Each of these signals is described below.

6.1.8.1 I2C0

I2C0 is the control interface between the processor and the **TPS65217C**. It allows the processor to control the registers inside the **TPS65217C** for such things as voltage scaling and switching of the input rails.

6.1.8.2 PMC_POWER_EN

On power up the **VDD_RTC** rail activates first. After the RTC circuitry in the processor has activated it instructs the **TPS65217C** to initiate a full power up cycle by activating the **PMIC_POWER_EN** signal by taking it HI. When powering down, the processor can take this pin low to start the power down process.

6.1.8.3 *LDO_GOOD*

This signal connects to the **RTC_PORZn** signal, RTC power on reset. As the RTC circuitry comes up first, this signal indicates that the LDOs, the 1.8V VRTC rail, is up and stable. This starts the power up process.

6.1.8.4 *PMIC_PGOOD*

Once all the rails are up, the **PMIC_PGOOD** signal goes high. This releases the **PORZn** signal on the processor which was holding the processor reset.

6.1.8.5 *WAKEUP*

The WAKEUP signal from the **TPS65217C** is connected to the **EXT_WAKEUP** signal on the processor. This is used to wake up the processor when it is in a sleep mode. When an event is detected by the **TPS65217C**, such as the power button being pressed, it generates this signal

6.1.8.6 *PMIC_INT*

The **PMIC_INT** signal is an interrupt signal to the processor. Pressing the power button will send an interrupt to the processor allowing it to implement a power down mode in an orderly fashion, go into sleep mode, or cause it to wake up from a sleep mode. All of these require SW support.

6.1.9 Power Rails

Figure 25 shows the connections of each of the rails from the **TPS65217C**.

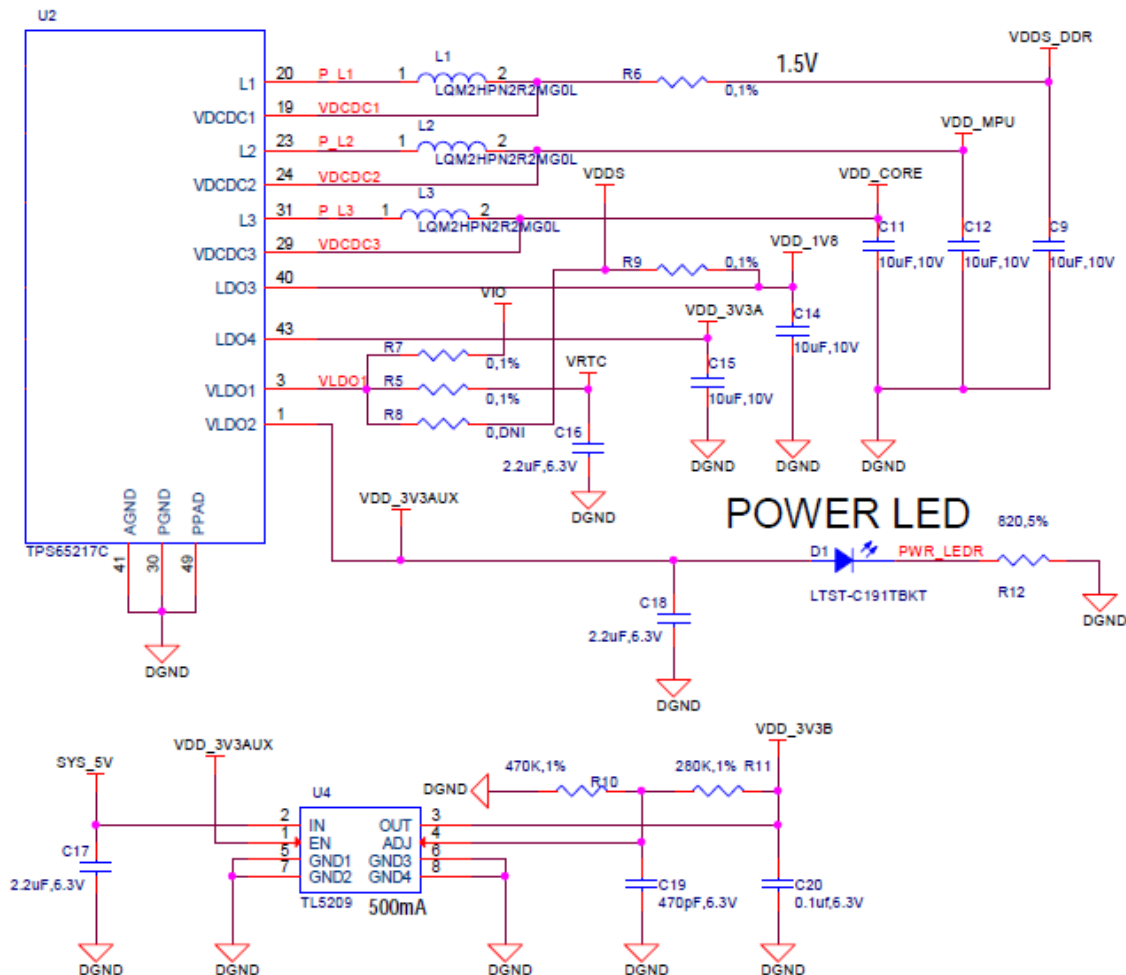


Figure 25. Power Rails

6.1.9.1 VRTC Rail

The **VRTC** rail is a 1.8V rail that is the first rail to come up in the power sequencing. It provides power to the RTC domain on the processor and the I/O rail of the **TPS65217C**. It can deliver up to 250mA maximum.

6.1.9.2 VDD_3V3A Rail

The **VDD_3V3A** rail is supplied by the **TPS65217C** and provides the 3.3V for the processor rails and can provide up to 400mA.

6.1.9.3 *VDD_3V3B Rail*

The current supplied by the **VDD_3V3A** rail is not sufficient to power all of the 3.3V rails on the board. So a second LDO is supplied, U4, a **TL5209A**, which sources the **VDD_3V3B** rail. It is powered up just after the **VDD_3V3A** rail.

6.1.9.4 *VDD_1V8 Rail*

The **VDD_1V8** rail can deliver up to 400mA and provides the power required for the 1.8V rails on the processor and the HDMI framer. This rail is not accessible for use anywhere else on the board.

6.1.9.5 *VDD_CORE Rail*

The **VDD_CORE** rail can deliver up to 1.2A at 1.1V. This rail is not accessible for use anywhere else on the board and only connects to the processor. This rail is fixed at 1.1V and is not scaled.

6.1.9.6 *VDD_MPU Rail*

The **VDD_MPU** rail can deliver up to 1.2A. This rail is not accessible for use anywhere else on the board and only connects to the processor. This rail defaults to 1.1V and can be scaled up to allow for higher frequency operation. Changing of the voltage is set via the I2C interface from the processor.

6.1.9.7 *VDDS_DDR Rail*

The **VDDS_DDR** rail defaults to **1.5V** to support the DDR3L rails and can deliver up to 1.2A. It is possible to adjust this voltage rail down to **1.35V** for lower power operation of the DDR3L device. Only DDR3L devices can support this voltage setting of 1.35V.

6.1.9.8 Power Sequencing

The power up process is made up of several stages and events. **Figure 26** describes the events that make up the power up process for the processor.

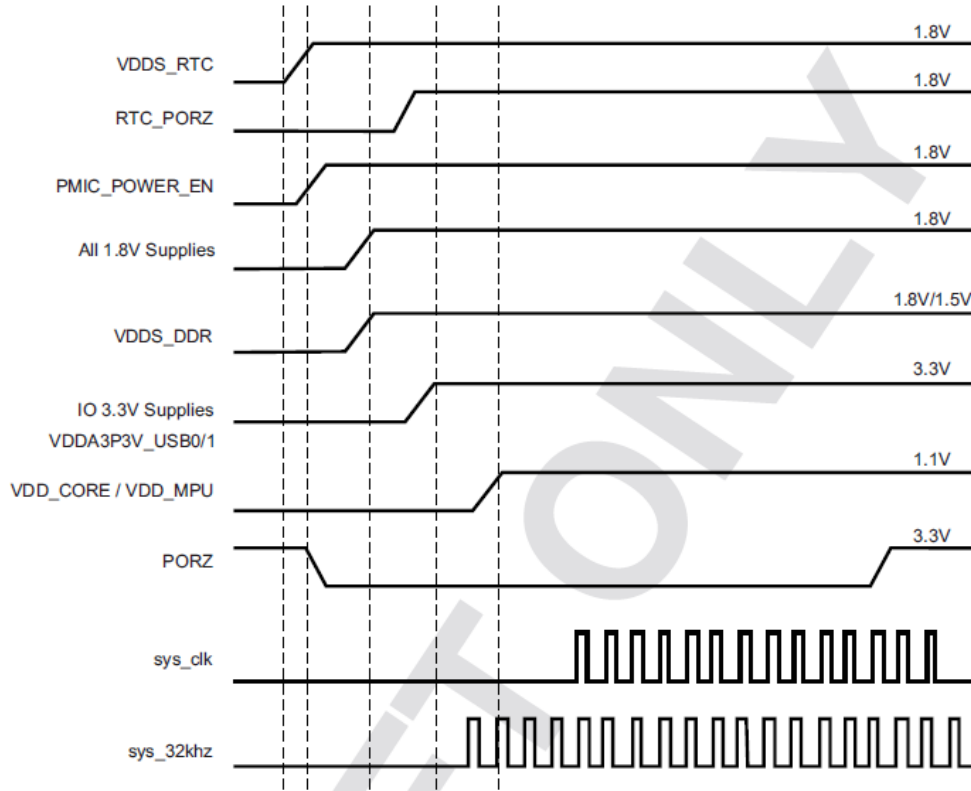


Figure 26. Power Rail Power Up Sequencing

Figure 27 the voltage rail sequencing for the **TPS65217C** as it powers up and the voltages on each rail. The power sequencing starts at 15 and then goes to one. That is the way the **TPS65217C** is configured. You can refer to the **TPS65217C** datasheet for more information.

TPS65217C (Targeted at AM335x - ZCZ)	
VOLTAGE (V)	SEQUENCE (STROBE)
1.5	1
1.1	5
1.1	5
1.8	15
3.3	3
1.8 (LDO, 400 mA)	2
3.3 (LDO, 400 mA)	4

Figure 27. TPS6517C Power Sequencing Timing

6.1.10 Power LED

The power LED is a blue LED that will turn on once the **TPS65217C** has finished the power up procedure. If you ever see the LED flash once, that means that the **TPS65217C** started the process and encountered an issue that caused it to shut down. The connection of the LED is shown in **Figure 25**.

6.1.11 TPS65217C Power Up Process

Figure 14 shows the interface between the **TPS65217C** and the processor.

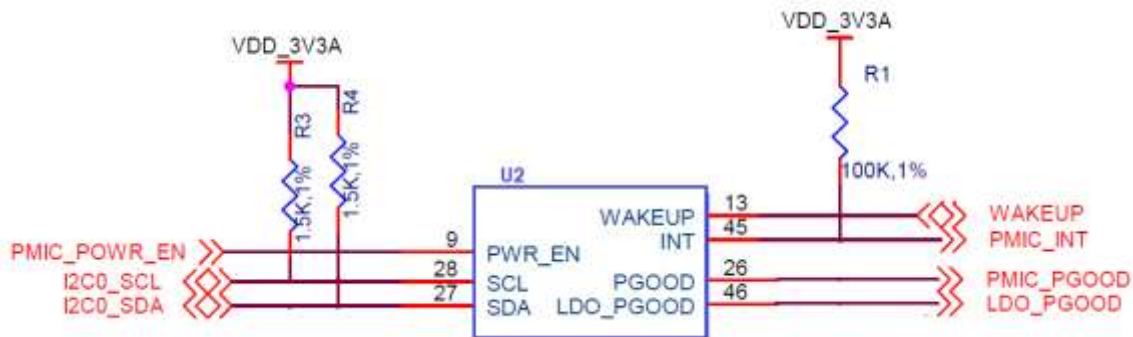


Figure 28. Power Processor Interfaces

When voltage is applied, DC or USB, the **TPS65217C** connects the power to the SYS output pin which drives the switchers and LDOS in the **TPS65217C**.

At power up all switchers and LDOs are off except for the **VRTC LDO (1.8V)**, which provides power to the VRTC rail and controls the **RTC_PORZ** input pin to the processor, which starts the power up process of the processor. Once the RTC rail powers up, the **RTC_PORZ** pin of the processor is released.

Once the **RTC_PORZ** reset is released, the processor starts the initialization process. After the RTC stabilizes, the processor launches the rest of the power up process by activating the **PMIC_PWR_EN** signal that is connected to the **TPS65217C** which starts the **TPS65217C** power up process.

The **LDO_PGOOD** signal is provided by the **TPS65217C** to the processor. As this signal is 1.8V from the **TPS65217C** by virtue of the **TPS65217C** VIO rail being set to 1.8V, and the **RTC_PORZ** signal on the processor is 3.3V, a voltage level shifter, **U4**, is used. Once the LDOs and switchers are up on the **TPS65217C**, this signal goes active releasing the processor. The LDOs on the **TPS65217C** are used to power the VRTC rail on the processor.

6.1.12 Processor Control Interface

Figure 11 above shows two interfaces between the processor and the **TPS65217C** used for control after the power up sequence has completed.

The first is the **I2C0** bus. This allows the processor to turn on and off rails and to set the voltage levels of each regulator to supports such things as voltage scaling.

The second is the interrupt signal. This allows the **TPS65217C** to alert the processor when there is an event, such as when the optional power button is pressed. The interrupt is an open drain output which makes it easy to interface to 3.3V of the processor.

6.1.13 Low Power Mode Support

This section covers three general power down modes that are available. These modes are only described from a Hardware perspective as it relates to the HW design.

6.1.13.1 *RTC Only*

In this mode all rails are turned off except the **VDD_RTC**. The processor will need to turn off all the rails to enter this mode. The **VDD_RTC** staying on will keep the RTC active and provide for the wakeup interfaces to be active to respond to a wake up event.

6.1.13.2 *RTC Plus DDR*

In this mode all rails are turned off except the **VDD_RTC** and the **VDDS_DDR**, which powers the DDR3L memory. The processor will need to turn off all the rails to enter this mode. The **VDD_RTC** staying on will keep the RTC active and provide for the wakeup interfaces to be active to respond to a wake up event.

The **VDDS_DDR** rail to the DDR3L is provided by the 1.5V rail of the **TPS65217C** and with **VDDS_DDR** active, the DDR3L can be placed in a self refresh mode by the processor prior to power down which allows the memory data to be saved.

Currently, this feature is not included in the standard software release. The plan is to include it in future releases.

6.1.13.3 *Voltage Scaling*

For a mode where the lowest power is possible without going to sleep, this mode allows the voltage on the ARM processor to be lowered along with slowing the processor frequency down. The I2C0 bus is used to control the voltage scaling function in the **TPS65217C**.

6.2 Sitara XAM3359AZCZ100 Processor

The board is designed to use either the Sitara AM3358AZCZ100 or XAM3358BZCZ100 processor in the 15 x 15 package. The initial units built will use the XAM3359AZCZ100 processor from TI. This is the same processor as used on the original BeagleBone except for a different revision. Later, we will switch to the AM3358BZCZ100 device when released.

6.2.1 Description

Figure 29 is a high level block diagram of the processor. For more information on the processor, go to <http://www.ti.com/product/am3359>.

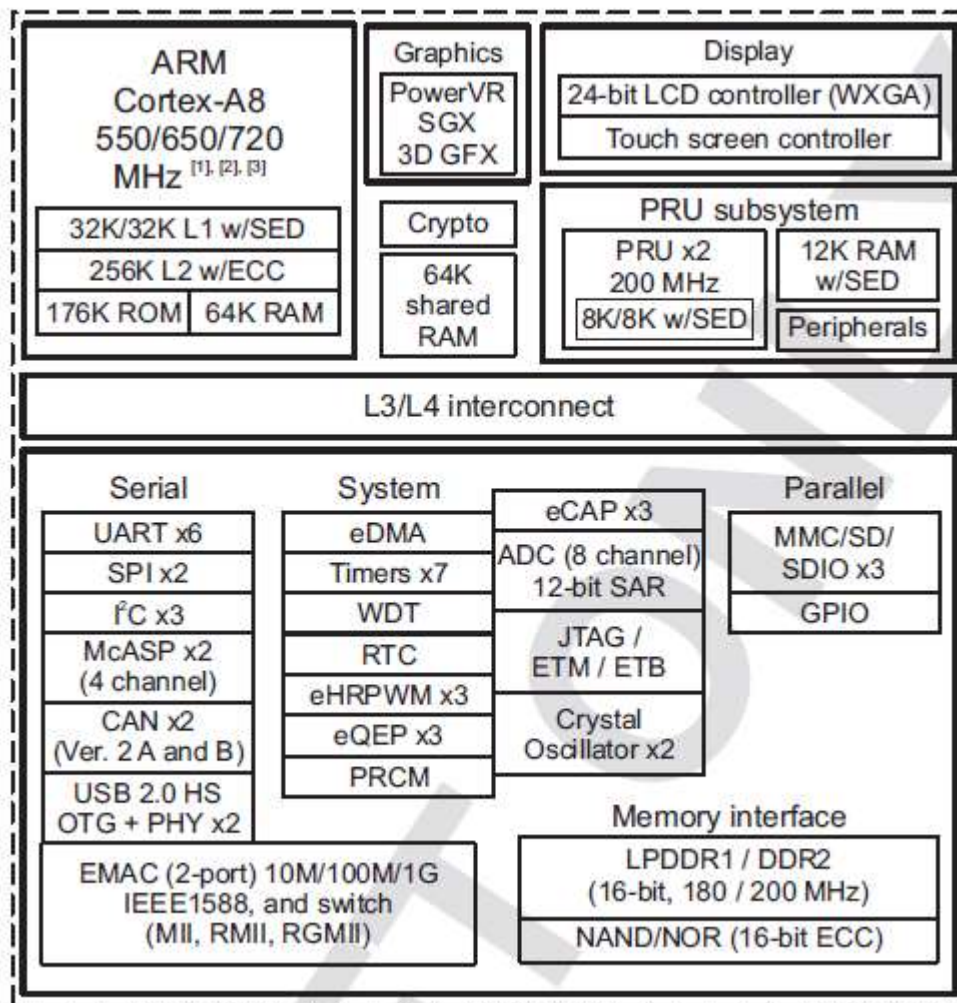


Figure 29. Sitara XAM3359AZCZ Block Diagram

NOTE: Figure 29 is an older block diagram and the higher frequency is not reflected. As soon an updated picture is available, this will be changed. You can also refer to the updated datasheet for the XAM3359 processor.

6.2.2 High Level Features

Table 5 below shows a few of the high level features of the Sitara processor.

Table 5. Processor Features

Operating Systems	Linux, Android, Windows Embedded CE, QNX, ThreadX	MMC/SD	3
Standby Power	7 mW	CAN	2
ARM CPU	1 ARM Cortex-A8	UART (SCI)	6
ARM MHz (Max.)	275,500,600,800,1000	ADC	8-ch 12-bit
ARM MIPS (Max.)	1000,1200,2000	PWM (Ch)	3
Graphics Acceleration	1 3D	eCAP	3
Other Hardware Acceleration	2 PRU-ICSS, Crypto Accelerator	eQEP	3
On-Chip L1 Cache	64 KB (ARM Cortex-A8)	RTC	1
On-Chip L2 Cache	256 KB (ARM Cortex-A8)	I2C	3
Other On-Chip Memory	128 KB	McASP	2
Display Options	LCD	SPI	2
General Purpose Memory	1 16-bit (GPMC, NAND flash, NOR Flash, SRAM)	DMA (Ch)	64-Ch EDMA
DRAM	1 16-bit (LPDDR-400, DDR2-532, DDR3-606)	IO Supply (V)	1.8V(ADC),3.3V
USB Ports	2	Operating Temperature Range (C)	-40 to 90

6.2.3 Documentation

Full documentation for the processor can be found on the TI website at <http://www.ti.com/product/am3359> for the current processor used on the board. Make sure that you always use the latest datasheets and Technical Reference Manuals (TRM).

6.3 DDR3L Memory

The BeagleBone Black uses a single MT41K256M16HA-125 512MB DDR3L device from Micron that interfaces to the processor over 16 data lines, 16 address lines, and 14 control lines. The following sections provide more details on the design.

6.3.1 Memory Device

The design will support standard DDR3 and DDR3L x16 devices. A single x16 device is used on the board and there is no support for two x8 devices. The DDR3 devices work at 1.5V and the DDR3L devices can work down to 1.35V to achieve lower power. The specific Micron device used is the **MT41K256M16HA-125**. It comes in a 96-BALL FBGA package with 0.8 mil pitch. Other standard DDR3 devices can also be supported, but the DDR3L is the lower power device and was chosen for its ability to work at 1.5V or 1.35V. The standard frequency that the DDR3L is run at on the board is 303MHZ.

6.3.2 DDR3L Memory Design

Figure 30 is the schematic for the DDR3L memory device. Each of the groups of signals is described in the following lines.

Address Lines: Provide the row address for ACTIVATE commands, and the column address and auto pre-charge bit (A10) for READ/WRITE commands, to select one location out of the memory array in the respective bank. A10 sampled during a PRECHARGE command determines whether the PRECHARGE applies to one bank (A10 LOW, bank selected by BA[2:0]) or all banks (A10 HIGH). The address inputs also provide the op-code during a LOAD MODE command. Address inputs are referenced to VREFCA. A12/BC#: When enabled in the mode register (MR), A12 is sampled during READ and WRITE commands to determine whether burst chop (on-the-fly) will be performed (HIGH = BL8 or no burst chop, LOW = BC4 burst chop).

Bank Address Lines: BA[2:0] define the bank to which an ACTIVATE, READ, WRITE, or PRECHARGE command is being applied. BA[2:0] define which mode register (MR0, MR1, MR2, or MR3) is loaded during the LOAD MODE command. BA[2:0] are referenced to VREFCA.

CK and CK# Lines: are differential clock inputs. All address and control input signals are sampled on the crossing of the positive edge of CK and the negative edge of CK#. Output data strobe (DQS, DQS#) is referenced to the crossings of CK and CK#.

Clock Enable Line: CKE enables (registered HIGH) and disables (registered LOW) internal circuitry and clocks on the DRAM. The specific circuitry that is enabled/disabled is dependent upon the DDR3 SDRAM configuration and operating mode. Taking CKE LOW provides PRECHARGE power-down and SELF REFRESH operations (all banks idle) or active power-down (row active in any bank). CKE is synchronous for power-down entry and exit and for self refresh entry. CKE is asynchronous for self refresh exit.

Input buffers (excluding CK, CK#, CKE, RESET#, and ODT) are disabled during power-down. Input buffers (excluding CKE and RESET#) are disabled during SELF REFRESH. CKE is referenced to V_{REFCA} .

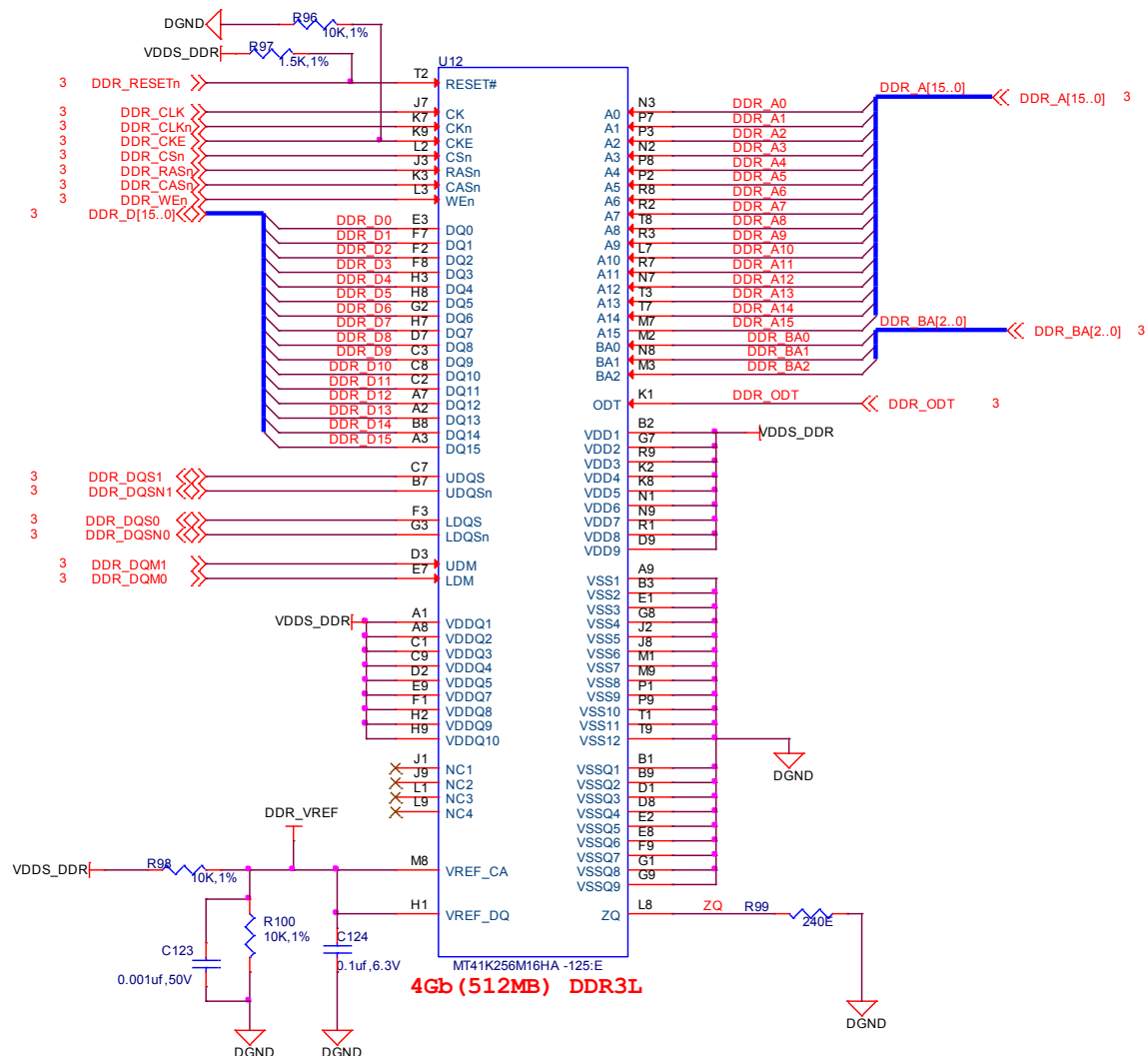


Figure 30. DDR3L Memory Design

Chip Select Line: CS# enables (registered LOW) and disables (registered HIGH) the command decoder. All commands are masked when CS# is registered HIGH. CS# provides for external rank selection on systems with multiple ranks. CS# is considered part of the command code. CS# is referenced to V_{REFCA} .

Input Data Mask Line: DM is an input mask signal for write data. Input data is masked when DM is sampled HIGH along with the input data during a write access. Although the DM ball is input-only, the DM loading is designed to match that of the DQ and DQS balls. DM is referenced to VREFDQ.

On-die Termination Line: ODT enables (registered HIGH) and disables (registered LOW) termination resistance internal to the DDR3L SDRAM. When enabled in normal operation, ODT is only applied to each of the following balls: DQ[7:0], DQS, DQS#, and DM for the x8; DQ[3:0], DQS, DQS#, and DM for the x4. The ODT input is ignored if disabled via the LOAD MODE command. ODT is referenced to VREFCA.

6.3.3 Power Rails

The **DDR3L** memory device and the DDR3 rails on the processor are supplied by the **TPS65217C**. Default voltage is 1.5V but can be scaled down to 1.35V if desired.

6.3.4 VREF

The **VREF** signal is generated from a voltage divider on the **VDDS_DDR** rail that powers the processor DDR rail and the DDR3L device itself. **Figure 31** below shows the configuration of this signal and the connection to the DDR3L memory device and the processor.

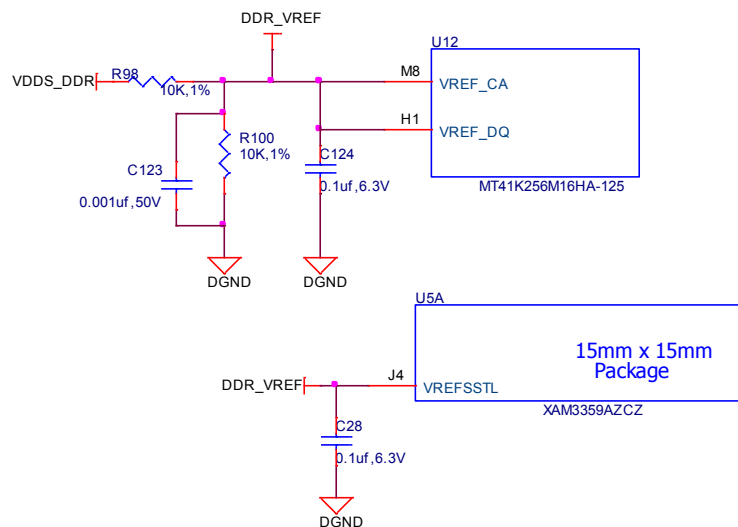


Figure 31. DDR3L VREF Design

6.4 2GB eMMC Memory

The eMMC is a communication and mass data storage device that includes a Multi-MediaCard (MMC) interface, a NAND Flash component, and a controller on an advanced 11-signal bus, which is compliant with the MMC system specification. The nonvolatile eMMC draws no power to maintain stored data, delivers high performance across a wide range of operating temperatures, and resists shock and vibration disruption.

One of the issues faced with SD cards is that across the different brands and even within the same brand, performance can vary. Cards use different controllers and different memories, all of which can have bad locations that the controller handles. But the controllers may be optimized for reads or writes. You never know what you will be getting. This can lead to varying rates of performance. The eMMC card is a known controller and when coupled with the 8bit mode, 8 bits of data instead of 4, you get double the performance which should result in quicker boot times.

The following sections describe the design and device that is used on the board to implement this interface.

6.4.1 eMMC Device

The device used in a Micron **MTFC2GMTEA-0F_WT** 2GB eMMC device. This is a new device and so for documentation and support, you will need to contact your local Micron representative.

The package is a 153 ball WFBGA device. The footprint on the BeagleBone Black for this device supports 4GB and 8GB devices. As this is a JEDEC standard, there are other suppliers that may work in this design as well. The only device that has been tested is the **MTFC2GMTEA-0F_WT**.

6.4.2 eMMC Circuit Design

Figure 32 is the design of the eMMC circuitry. The eMMC device is connected to the MMC1 port on the processor. MMC0 is still used for the uSD card as is currently done on the original BeagleBone.

The device runs at 3.3V both internally and the external I/O rails. The VCCI is an internal voltage rail to the device. The manufacturer recommends that a 1uF capacitor be attached to this rail, but a 2.2uF was chosen to provide a little margin.

Pullup resistors are used to increase the rise time on the signals to compensate for any capacitance on the board.

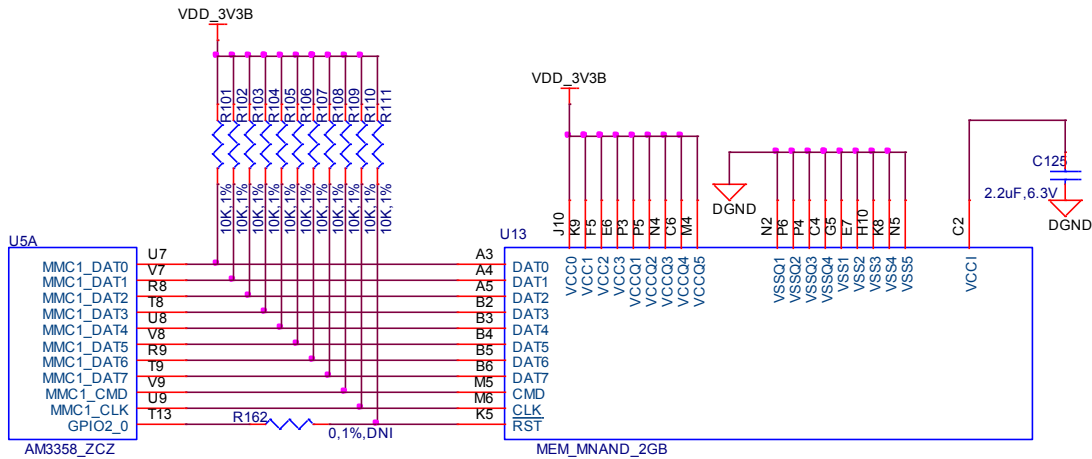


Figure 32. eMMC Memory Design

The pins used by the eMMC1 in the boot mode are listed below in **Table 6**.

Table 6. eMMC Boot Pins

Signal name	Pin Used in Device
clk	gpmc_csn1
cmd	gpmc_csn2
dat0	gpmc_ad0
dat1	gpmc_ad1
dat2	gpmc_ad2
dat3	gpmc_ad3

For eMMC devices the ROM will only support raw mode. The ROM Code reads out raw sectors from image or the booting file within the file system and boots from it. In raw mode the booting image can be located at one of the four consecutive locations in the main area: offset 0x0 / 0x20000 (128 KB) / 0x40000 (256 KB) / 0x60000 (384 KB). For this reason, a booting image shall not exceed 128KB in size. However it is possible to

flash a device with an image greater than 128KB starting at one of the aforementioned locations. Therefore the ROM Code does not check the image size. The only drawback is that the image will cross the subsequent image boundary. The raw mode is detected by reading sectors #0, #256, #512, #768. The content of these sectors is then verified for presence of a TOC structure. In the case of a **GP Device**, a Configuration Header (CH) **must** be located in the first sector followed by a **GP header**. The CH might be void (only containing a CHSETTINGS item for which the Valid field is zero).

The ROM only supports the 4-bit mode. After the initial boot, the switch can be made to 8-bit mode for increasing the overall performance of the eMMC interface.

6.5 Micro Secure Digital

The uSD connector on the board will support a uSD card that can be used for booting or file storage on the BeagleBone Black.

6.5.1 uSD Design

Figure 33 below is the design of the uSD interface on the board.

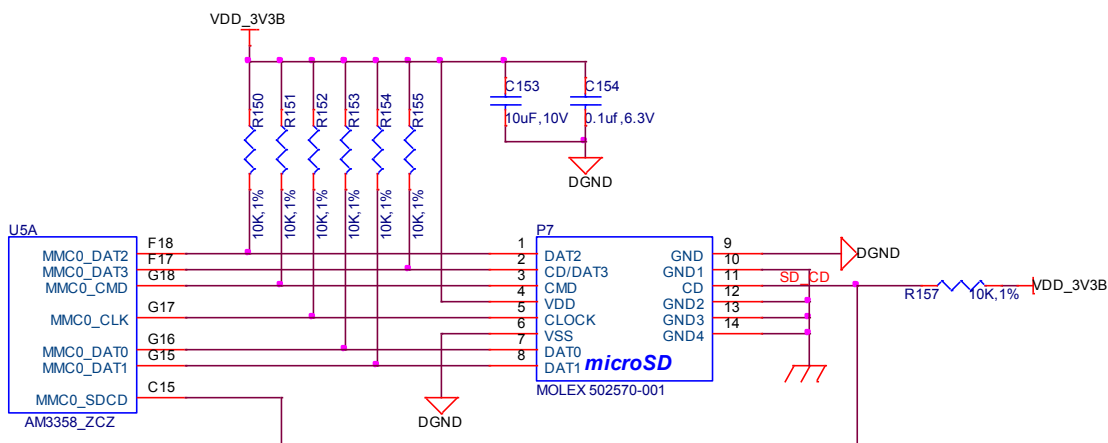


Figure 33. uSD Design

The signals **MMC0-3** are the data lines for the transfer of data between the processor and the uSD connector.

The **MMC0_CLK** signal clocks the data in and out of the uSD card.

The **MMC0_CMD** signal indicates that a command versus data is being sent.

There is no separate card detect pin in the uSD specification. It uses **MMC0_DAT3** for that function. However, most uSD connectors still supply a CD function on the

connectors. In the BeagleBone Black design, this pin is connected to the **MMC0_SDCD** pin for use by the processor. You can also change the pin to **GPIO0_6**, which is able to wake up the processor from a sleep mode when an SD card is inserted into the connector.

Pullup resistors are provided on the signals to increase the rise times of the signals to overcome PCB capacitance.

Power is provided from the **VDD_3V3B** rail and a 10uf capacitor is provided for filtering.

6.6 User LEDs

There are four user LEDs on the BeagleBone Black. These are connected to GPIO pins on the processor. **Figure 34** shows the interfaces for the user LEDs.

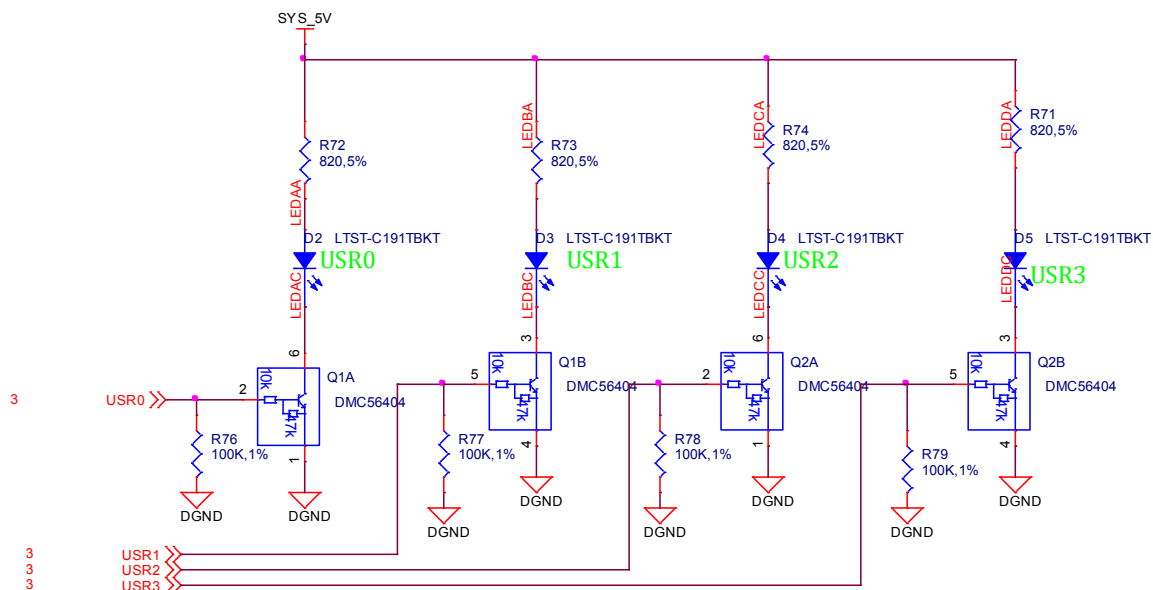


Figure 34. User LEDs

Table 7 shows the signals used to control the four LEDs from the processor.

Table 7. User LED Control Signals/Pins

LED	GPIO SIGNAL	PROC PIN
USR0	GPIO1_21	V15
USR1	GPIO2_22	U15
USR2	GPIO2_23	T15
USR3	GPIO2_24	V16

A logic level of “1” will cause the LEDs to turn on.

6.7 Boot Configuration

The design supports two groups of boot options on the board. The user can switch between these modes via the Boot button. The primary boot source is the onboard eMMC device. By holding the Boot button, the user can force the board to boot from the uSD slot. This enables the eMMC to be overwritten when needed or to just boot an alternate image. The following sections describe how the boot configuration works.

6.7.1 Boot Configuration Design

Figure 35 shows the circuitry that is involved in the boot configuration process. On power up, these pins are read by the processor to determine the boot order. S2 is used to change the level of one bit from HI to LO which changes the boot order.

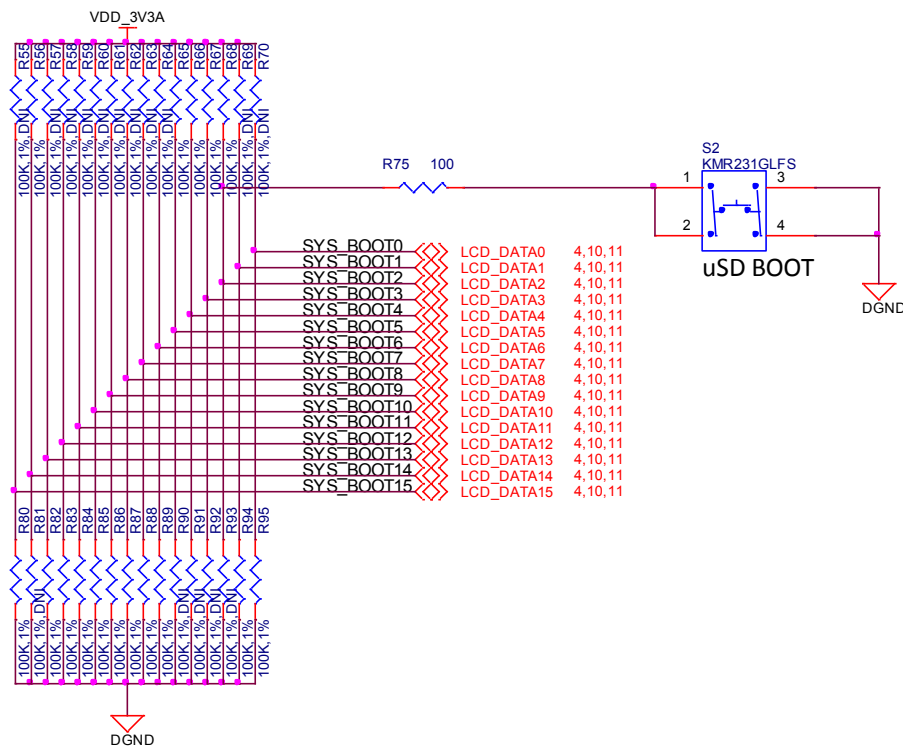


Figure 35. Processor Boot Configuration Design

It is possible to override these setting via the expansion headers. But be careful not to add too much load such that it could interfere with the operation of the HDMI interface or LCD panels. If you choose to override these settings, it is strongly recommended that you gate these signals with the **SYS_RESETh** signal. This insures that after coming out of reset these signals are removed from the expansion pins.

6.7.2 Default Boot Options

Based on the selected option found in **Figure 36** below, each of the boot sequences for each of the two settings is shown.

SYSBOOT[15:14]	SYSBOOT[13:12]	SYSBOOT[11:10]	SYSBOOT[9]	SYSBOOT[8]	SYSBOOT[7:6]	SYSBOOT[5]	SYSBOOT[4:0]	Boot Sequence			
00b = 19.2MHz 01b = 24MHz 10b = 25MHz 11b = 26MHz	00b (all other values reserved)	Don't care for ROM code	Don't care for ROM code	Don't care for ROM code	Don't care for ROM code	0 = CLKOUT1 disabled 1 = CLKOUT1 enabled	11100b	MMC1	MMC0	UART0	USB0[5]
00b = 19.2MHz 01b = 24MHz 10b = 25MHz 11b = 26MHz	00b (all other values reserved)	Don't care for ROM code	Don't care for ROM code	Don't care for ROM code	Don't care for ROM code	0 = CLKOUT1 disabled 1 = CLKOUT1 enabled	11000b	SPI0	MMC0	USB0[5]	UART0

Figure 36. Processor Boot Configuration

The first row in **Figure 36** is the default setting. On boot, the processor will look for the eMMC on the MMC1 port first, followed by the uSD slot on MMC0, USB0 and UART0. In the event there is no uSD card and the eMMC is empty, UART0 or USB0 could be used as the board source.

If you have a uSD card from which you need to boot from, hold the boot button down. On boot, the processor will look for the SPI0 port first, then uSD on the MMC0 port, followed by USB0 and UART0. In the event there is no uSD card and the eMMC is empty, USB0 or UART0 could be used as the board source.

6.8 10/100 Ethernet

The BeagleBone Black is equipped with a 10/100 Ethernet interface. It uses the same PHY as is used on the original BeagleBone. The design is described in the following sections.

6.8.1 Ethernet Processor Interface

Figure 37 shows the connections between the processor and the PHY. The interface is in the MII mode of operation.

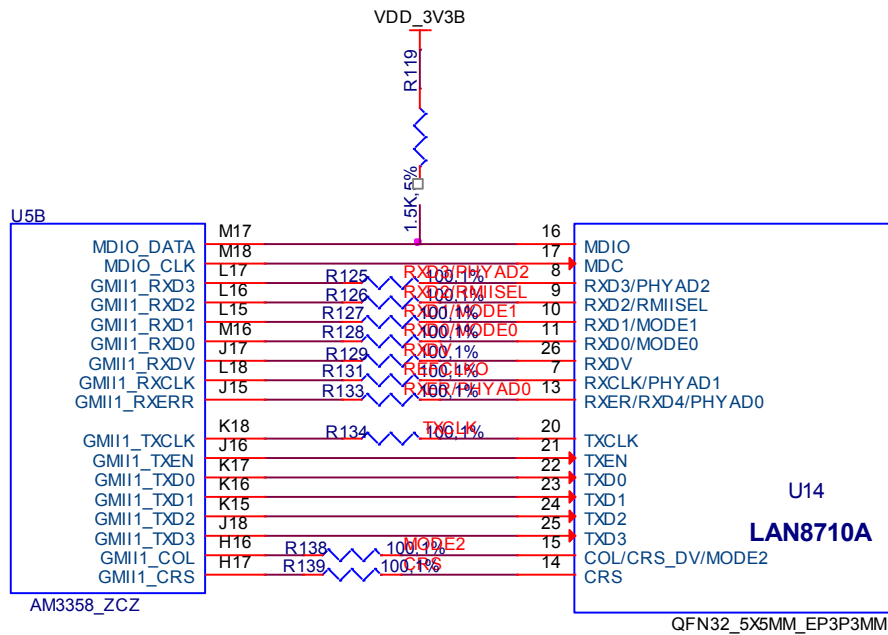


Figure 37. Ethernet Processor Interface

This is the same interface as is used on the BeagleBone. No changes were made in this design for the board.

6.8.2 Ethernet Connector Interface

The off board side of the PHY connections are shown in **Figure 38** below.

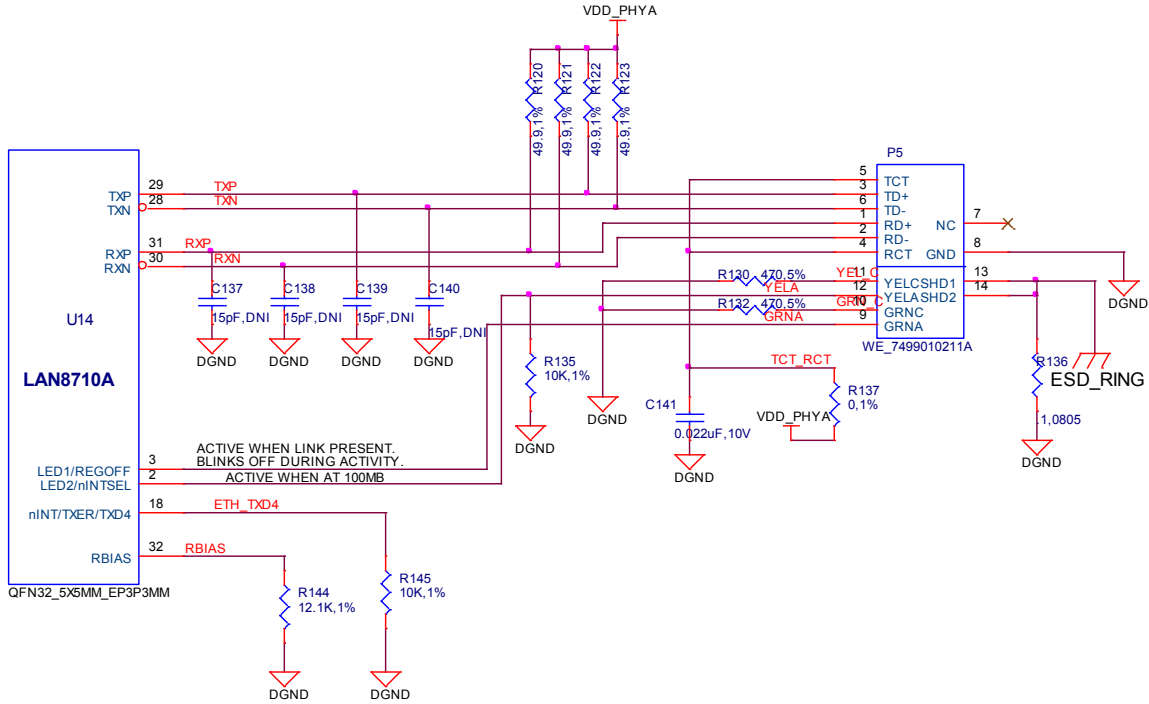


Figure 38. Ethernet Connector Interface

This is the same interface as is used on the BeagleBone. No changes were made in this design for the board.

6.8.2.3 *PHY_VDDCR Rail*

The **PHY_VDDCR** rail originates inside the LAN8710A. Filter and bypass capacitors are used to filter the rail. Only circuitry inside the LAN8710A uses this rail.

6.8.2.4 *SYS_RESET*

The reset of the LAN8710A is controlled via the **SYS_RESETn** signal, the main board reset line.

6.8.2.5 *Clock Signals*

A crystal is used to create the clock for the LAN8710A. The processor uses the **RMIIX_CLK** signal to provide the clocking for the data between the processor and the LAN8710A.

6.8.3 LAN8710A Mode Pins

There are mode pins on the LAN8710A that sets the operational mode for the PHY when coming out of reset. These signals are also used to communicate between the processor and the LAN8710A. As a result, these signals can be driven by the processor which can cause the PHY not to be initiated correctly. To insure that this does not happen, three low value pull up resistors are used. **Figure 40** below shows the three mode pin resistors.

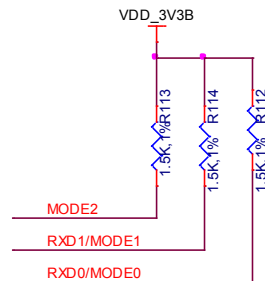


Figure 40. Ethernet PHY Mode Pins

This will set the mode to be 111, which enables all modes and enables auto-negotiation.

This design

6.9 HDMI Interface

The BeagleBone Black has an onboard HDMI framer that converts the LCD signals and audio signals to drive a HDMI monitor. The design uses an NXP **TDA19988** HDMI Framer.

The following sections provide more detail into the design of this interface.

6.9.1 Supported Resolutions

The maximum resolution supported by the BeagleBone Black is 1280x1024 @ 60Hz. **Table 8** below shows the supported resolutions. Not all resolutions may work on all monitors, but these have been tested and shown to work on at least one monitor. EDID is supported on the BeagleBone Black. Based on the EDID reading from the connected monitor, the highest compatible resolution is selected.

Table 8. HDMI Supported Monitor Resolutions

800 x 600 @60Hz	1024 x 768 @75Hz	1280 x 720 @60
800 x 600 @56Hz	1024 x 768 @70Hz	
640 x 480 @75Hz	1024 x 768 @60Hz	
640 x 480 @60Hz	800 x 600 @75Hz	
720 x 400 @70Hz	800 x 600 @72Hz	
1280 x 1024 @75Hz	720 x 480 @60Hz	

6.9.2 HDMI Framer

The **TDA19988** is a High-Definition Multimedia Interface (HDMI) 1.4a transmitter. It is backward compatible with DVI 1.0 and can be connected to any DVI 1.0 or HDMI sink. The HDCP mode is not used in the design. The non-HDCP version of the device is used in the BeagleBone Black design.

This device provides additional embedded features like CEC (Consumer Electronic Control). CEC is a single bidirectional bus that transmits CEC over the home appliance network connected through this bus. This eliminates the need of any additional device to handle this feature. While this feature is supported in this device, as of this point, the SW to support this feature has not been implemented and is not a feature that is considered critical.

It can be switched to very low power Standby or Sleep modes to save power when HDMI is not used. TDA19988 embeds I²C-bus master interface for DDC-bus communication to read EDID. This device can be controlled or configured via I²C-bus interface.

6.9.4 HDMI Control Processor Interface

In order to use the TDA19988, the processor needs to setup the device. This is done via the I2C interface between the processor and the TDA19988. There are two signals on the TDA19988 that could be used to set the address of the TDA19988. In this design they are both tied low. The I2C interface supports both 400kHz and 100KhZ operation. **Table 9** shows the I2C address.

Table 9. TDA19988 I2C Address

HDMI core address							
A6	A5	A4	A3	A2	A1	A0	R/W
1	1	1	0	0	X ^[1]	X ^[1]	0/1

6.9.5 Interrupt Signal

There is a HDMI_INT signal that connects from the TDA19988 to the processor. This signal can be used to alert the processor in a state change on the HDMI interface.

6.9.6 Audio Interface

There is an I2S audio interface between the processor and the **TDA19988**. Stereo audio can be transported over the HDMI interface to an audio equipped display. In order to create the required clock frequencies, and external 24.576MHz oscillator, **Y4**, is used. From this clock, the processor generates the required clock frequencies for the TDA19988.

There are three signals used to pass data from the processor to the **TDA19988**. SCLK is the serial clock. SPI1_CS0 is the data pin to the **TDA19888**. SPI1_D0 is the word sync pin. These signals are configured as I2S interfaces.

6.9.7 Power Connections

Figure 42 shows the power connections to the **TDA19988** device. All voltage rails for the device are at 1.8V. A filter is provided to minimize any noise from the 1.8V rail getting back into the device.

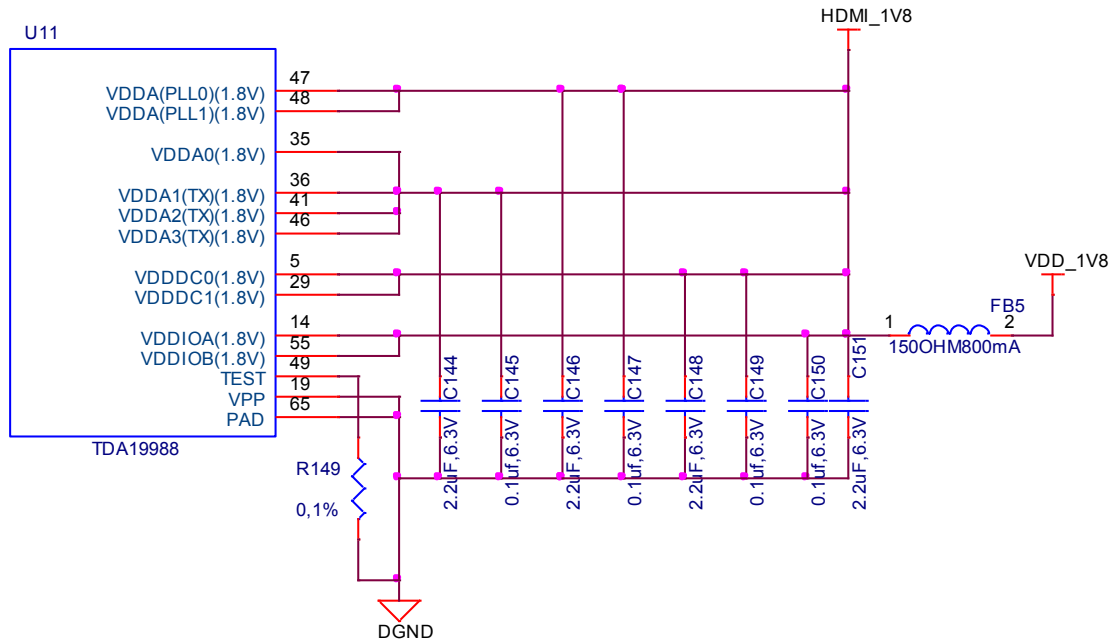


Figure 42. HDMI Power Connections

All of the interfaces between the processor and the TDA19988 are 3.3V tolerant allowing for direct connection.

6.9.8 HDMI Connector Interface

Figure 43 shows the design of the interface between the HDMI Framer and the connector.

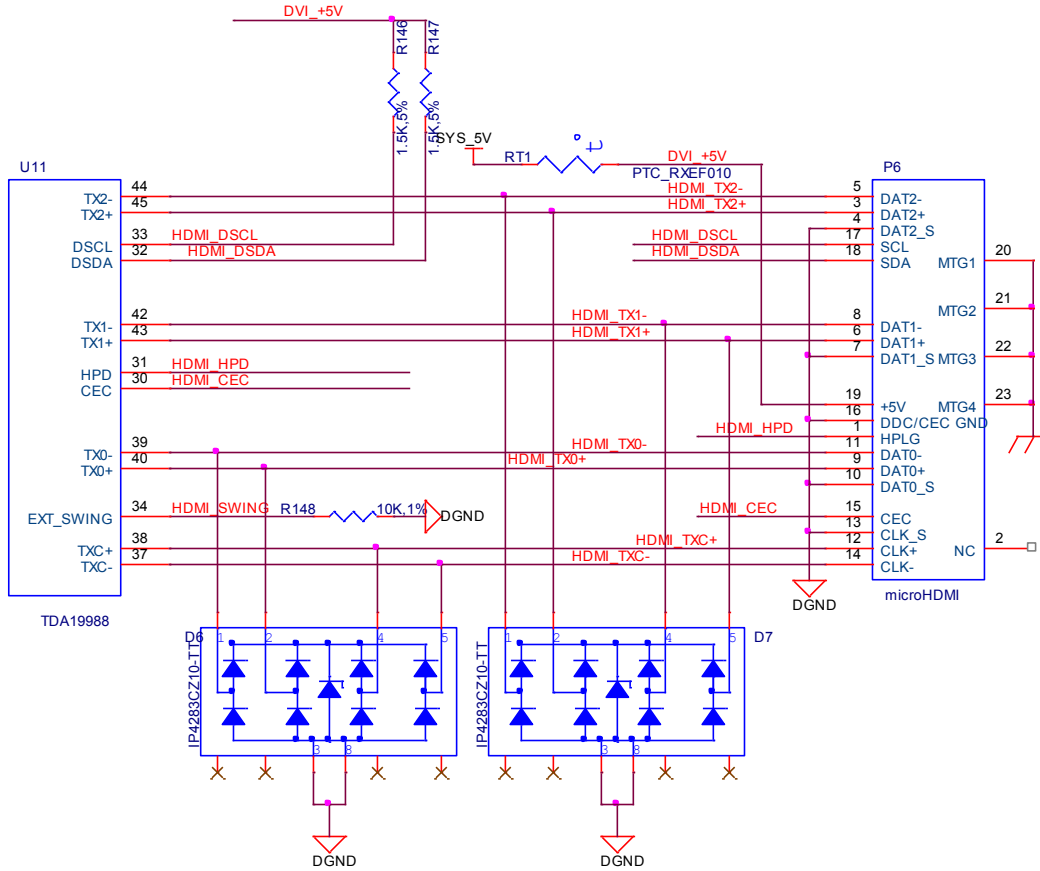


Figure 43. Connector Interface Circuitry

The connector for the HDMI interface is a microHDMI. It should be noted that this connector has a different pinout than the standard or mini HDMI connectors. D6 and D7 are ESD protection devices.

7.0 Connectors

This section describes each of the connectors on the board.

7.1 Expansion Connectors

The expansion interface on the board is comprised of two 46 pin connectors. All signals on the expansion headers are **3.3V** unless otherwise indicated.

NOTE: Do not connect 5V logic level signals to these pins or the board will be damaged.

Figure 44 shows the location of the expansion connectors.

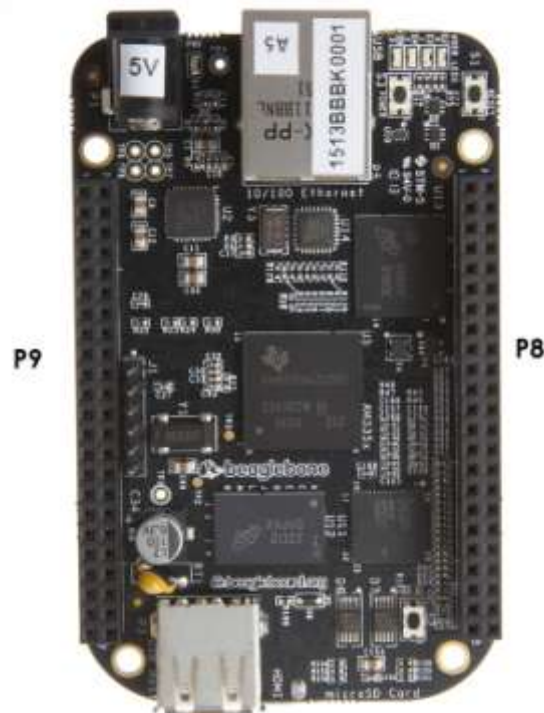


Figure 44. Expansion Connector Location

The location and spacing of the expansion headers are the same as on the original BeagleBone.

7.1.1 Connector P8

Table 10 shows the pinout of the **P8** expansion header. Other signals can be connected to this connector based on setting the pin mux on the processor, but this is the default settings on power up. The SW is responsible for setting the default function of each pin. There are some signals that have not been listed here. Refer to the processor documentation for more information on these pins and detailed descriptions of all of the pins listed. In some cases there may not be enough signals to complete a group of signals that may be required to implement a total interface.

The **PROC** column is the pin number on the processor.

The **PIN** column is the pin number on the expansion header.

The **MODE** columns are the mode setting for each pin. Setting each mode to align with the mode column will give that function on that pin.

Table 10. Expansion Header P8 Pinout

PIN	PROC	NAME	MODE0	MODE1	MODE2	MODE3	MODE4	MODE5	MODE6	MODE7
1,2						GND				
3	R9	GPIO1_6	gpmc_ad6	mmc1_dat6						gpio1[6]
4	T9	GPIO1_7	gpmc_ad7	mmc1_dat7						gpio1[7]
5	R8	GPIO1_2	gpmc_ad2	mmc1_dat2						gpio1[2]
6	T8	GPIO1_3	gpmc_ad3	mmc1_dat3						gpio1[3]
7	R7	TIMER4	gpmc_advn_ale		timer4					gpio2[2]
8	T7	TIMER7	gpmc_oen_ren		timer7					gpio2[3]
9	T6	TIMER5	gpmc_be0n_cle		timer5					gpio2[5]
10	U6	TIMER6	gpmc_wen		timer6					gpio2[4]
11	R12	GPIO1_13	gpmc_ad13	lcd_data18	mmc1_dat5	mmc2_dat1	eQEP2B_in			gpio1[13]
12	T12	GPIO1_12	GPMC_AD12	LCD_DATA19	Mmc1_dat4	MMC2_DAT0	EQEP2A_IN			gpio1[12]
13	T10	EHRPWM2B	gpmc_ad9	lcd_data22	mmc1_dat1	mmc2_dat5	ehrpwm2B			gpio0[23]
14	T11	GPIO0_26	gpmc_ad10	lcd_data21	mmc1_dat2	mmc2_dat6	ehrpwm2_tripzone_in			gpio0[26]
15	U13	GPIO1_15	gpmc_ad15	lcd_data16	mmc1_dat7	mmc2_dat3	eQEP2_strobe			gpio1[15]
16	V13	GPIO1_14	gpmc_ad14	lcd_data17	mmc1_dat6	mmc2_dat2	eQEP2_index			gpio1[14]
17	U12	GPIO0_27	gpmc_ad11	lcd_data20	mmc1_dat3	mmc2_dat7	ehrpwm0_synco			gpio0[27]
18	V12	GPIO2_1	gpmc_clk_mux0	lcd_memory_clk	gpmc_wait1	mmc2_clk			mcaspo_fsr	gpio2[1]
19	U10	EHRPWM2A	gpmc_ad8	lcd_data23	mmc1_dat0	mmc2_dat4	ehrpwm2A			gpio0[22]
20	V9	GPIO1_31	gpmc_csn2	gpmc_be1n	mmc1_cmd					gpio1[31]
21	U9	GPIO1_30	gpmc_csn1	gpmc_clk	mmc1_clk					gpio1[30]
22	V8	GPIO1_5	gpmc_ad5	mmc1_dat5						gpio1[5]
23	U8	GPIO1_4	gpmc_ad4	mmc1_dat4						gpio1[4]
24	V7	GPIO1_1	gpmc_ad1	mmc1_dat1						gpio1[1]
25	U7	GPIO1_0	gpmc_ad0	mmc1_dat0						gpio1[0]
26	V6	GPIO1_29	gpmc_csn0							gpio1[29]
27	U5	GPIO2_22	lcd_vsync	gpmc_a8						gpio2[22]
28	V5	GPIO2_24	lcd_pclk	gpmc_a10						gpio2[24]
29	R5	GPIO2_23	lcd_hsync	gpmc_a9						gpio2[23]
30	R6	GPIO2_25	lcd_ac_bias_en	gpmc_a11						gpio2[25]
31	V4	UART5_CTSN	lcd_data14	gpmc_a18	eQEP1_index	mcaspo_axr1	uart5_rxd	uart5_ctsn		gpio0[10]
32	T5	UART5_RTSN	lcd_data15	gpmc_a19	eQEP1_strobe	mcaspo_ahclkx	mcaspo_axr3	uart5_rtsn		gpio0[11]
33	V3	UART4_RTSN	lcd_data13	gpmc_a17	eQEP1B_in	mcaspo_fsr	mcaspo_axr3	uart4_rtsn		gpio0[9]
34	U4	UART3_RTSN	lcd_data11	gpmc_a15	ehrpwm1B	mcaspo_ahclkr	mcaspo_axr2	uart3_rtsn		gpio2[17]
35	V2	UART4_CTSN	lcd_data12	gpmc_a16	eQEP1A_in	mcaspo_aclkr	mcaspo_axr2	uart4_ctsn		gpio0[8]
36	U3	UART3_CTSN	lcd_data10	gpmc_a14	ehrpwm1A	mcaspo_axr0		uart3_ctsn		gpio2[16]
37	U1	UART5_TXD	lcd_data8	gpmc_a12	ehrpwm1_tripzone_in	mcaspo_aclkx	uart5_txd	uart2_ctsn		gpio2[14]
38	U2	UART5_RXD	lcd_data9	gpmc_a13	ehrpwm0_synco	mcaspo_fsx	uart5_rxd	uart2_rtsn		gpio2[15]
39	T3	GPIO2_12	lcd_data6	gpmc_a6		eQEP2_index				gpio2[12]
40	T4	GPIO2_13	lcd_data7	gpmc_a7		eQEP2_strobe	pr1_edio_data_out7			gpio2[13]
41	T1	GPIO2_10	lcd_data4	gpmc_a4		eQEP2A_in				gpio2[10]
42	T2	GPIO2_11	lcd_data5	gpmc_a5		eQEP2B_in				gpio2[11]
43	R3	GPIO2_8	lcd_data2	gpmc_a2		ehrpwm2_tripzone_in				gpio2[8]
44	R4	GPIO2_9	lcd_data3	gpmc_a3		ehrpwm0_synco				gpio2[9]
45	R1	GPIO2_6	lcd_data0	gpmc_a0		ehrpwm2A				gpio2[6]
46	R2	GPIO2_7	lcd_data1	gpmc_a1		ehrpwm2B				gpio2[7]

7.1.2 Connector P9

Table 11 lists the signals on connector **P9**. Other signals can be connected to this connector based on setting the pin mux on the processor, but this is the default settings on power up.

There are some signals that have not been listed here. Refer to the processor documentation for more information on these pins and detailed descriptions of all of the pins listed. In some cases there may not be enough signals to complete a group of signals that may be required to implement a total interface.

The **PROC** column is the pin number on the processor.

The **PIN** column is the pin number on the expansion header.

The **MODE** columns are the mode setting for each pin. Setting each mode to align with the mode column will give that function on that pin.

NOTES:

In the table are the following notations:

PWR_BUT is a 5V level as pulled up internally by the TPS65217C. It is activated by pulling the signal to GND.

Both of these signals connect to pin 41 of P11. Resistors are installed that allow for the GPIO3_20 connection to be removed by removing R221. The intent is to allow the SW to use either of these signals, one or the other, on pin 41. SW should set the unused pin in input mode when using the other pin. This allowed us to get an extra signal out to the expansion header.

@ Both of these signals connect to pin 42 of P11. Resistors are installed that allow for the GPIO3_18 connection to be removed by removing R202. The intent is to allow the SW to use either of these signals, on pin 42. SW should set the unused pin in input mode when using the other pin. This allowed us to get an extra signal out to the expansion header.



Table 11. Expansion Header P9 Pinout

PIN	PROC	NAME	MODE0	MODE1	MODE2	MODE3	MODE4	MODE5	MODE6	MODE7
1,2						GND				
3,4						DC_3.3V				
5,6						VDD_5V				
7,8						SYS_5V				
9						PWR_BUT				
10	A10	SYS_RESETrn	RESET_OUT							
11	T17	UART4_RXD	gpmc_wait0	mii2_crs	gpmc_csn4	rmii2_crs_dv	mmc1_sdcd		uart4_rxd_mux2	gpio0[30]
12	U18	GPIO1_28	gpmc_be1n	mii2_col	gpmc_csn6	mmc2_dat3	gpmc_dir		mcasp0_aclkr_mux3	gpio1[28]
13	U17	UART4_TXD	gpmc_wpn	mii2_rxerr	gpmc_csn5	rmii2_rxerr	mmc2_sdcd		uart4_txd_mux2	gpio0[31]
14	U14	EHRPWM1A	gpmc_a2	mii2_txd3	rgmii2_td3	mmc2_dat1	gpmc_a18		ehrpwm1A_mux1	gpio1[18]
15	R13	GPIO1_16	gpmc_a0	gmii2_bxen	rmii2_tctl	mii2_bxen	gpmc_a16		ehrpwm1_tripzone_input	gpio1[16]
16	T14	EHRPWM1B	gpmc_a3	mii2_txd2	rgmii2_td2	mmc2_dat2	gpmc_a19		ehrpwm1B_mux1	gpio1[19]
17	A16	I2C1_SCL	spi0_cs0	mmc2_sdwp	I2C1_SCL	ehrpwm0_synci				gpio0[5]
18	B16	I2C1_SDA	spi0_d1	mmc1_sdwp	I2C1_SDA	ehrpwm0_tripzone				gpio0[4]
19	D17	I2C2_SCL	uart1_rtsn	timer5	dcan0_rx	I2C2_SCL	spi1_cs1			gpio0[13]
20	D18	I2C2_SDA	uart1_ctsn	timer6	dcan0_tx	I2C2_SDA	spi1_cs0			gpio0[12]
21	B17	UART2_TXD	spi0_d0	uart2_txd	I2C2_SCL	ehrpwm0B			EMU3_mux1	gpio0[3]
22	A17	UART2_RXD	spi0_sclk	uart2_rxd	I2C2_SDA	ehrpwm0A			EMU2_mux1	gpio0[2]
23	V14	GPIO1_17	gpmc_a1	gmii2_rxdv	rgmii2_rxdv	mmc2_dat0	gpmc_a17		ehrpwm0_synco	gpio1[17]
24	D15	UART1_TXD	uart1_txd	mmc2_sdwp	dcan1_rx	I2C1_SCL				gpio0[15]
25	A14	GPIO3_21	mcasp0_ahclkx	eQEP0_strobe	mcasp0_axr3	mcasp1_axr1		EMU4_mux2		gpio3[21]
26	D16	UART1_RXD	uart1_rxd	mmc1_sdwp	dcan1_tx	I2C1_SDA				gpio0[14]
27	C13	GPIO3_19	mcasp0_fsr	eQEP0B_in	mcasp0_axr3	mcasp1_fsx		EMU2_mux2		gpio3[19]
28	C12	SPI1_CS0	mcasp0_ahclkr	ehrpwm0_synci	mcasp0_axr2	spi1_cs0		eCAP2_in_PWM2_out		gpio3[17]
29	B13	SPI1_D0	mcasp0_fsx	ehrpwm0B		spi1_d0		mmc1_sdcd_mux1		gpio3[15]
30	D12	SPI1_D1	mcasp0_axr0	ehrpwm0_tripzone		spi1_d1		mmc2_sdcd_mux1		gpio3[16]
31	A13	SPI1_SCLK	mcasp0_aclkx	ehrpwm0A		spi1_sclk		mmc0_sdcd_mux1		gpio3[14]
32						VADC				
33	C8					AIN4				
34						AGND				
35	A8					AIN6				
36	B8					AIN5				
37	B7					AIN2				
38	A7					AIN3				
39	B6					AIN0				
40	C7					AIN1				
41#	D14	CLKOUT2	xdma_event_intr1		tlckin	clkout2	timer7_mux1		EMU3_mux0	gpio0[20]
	D13	GPIO3_20	mcasp0_axr1	eQEP0_index		Mcasp1_axr0	emu3			gpio3[20]
	C18	GPIO0_7	eCAP0_in_PWM0_out	uart3_txd	spi1_cs1	pr1_ecap0_ecap_capin_apwm_o	spi1_sclk	mmc0_sdwp	xdma_event_intr2	gpio0[7]
42@	B12	GPIO3_18	Mcasp0_aclkr	eQEP0A_in	Mcasp0_axr2	Mcasp1_aclkx				gpio3[18]
43-46						GND				

7.2 Power Jack

The DC power jack is located next to the RJ45 Ethernet connector as shown in **Figure 45**. This uses the same power connector as is used on the original BeagleBone. The connector has a 2.1mm diameter center post and a 5.5mm diameter outer dimension on the barrel.

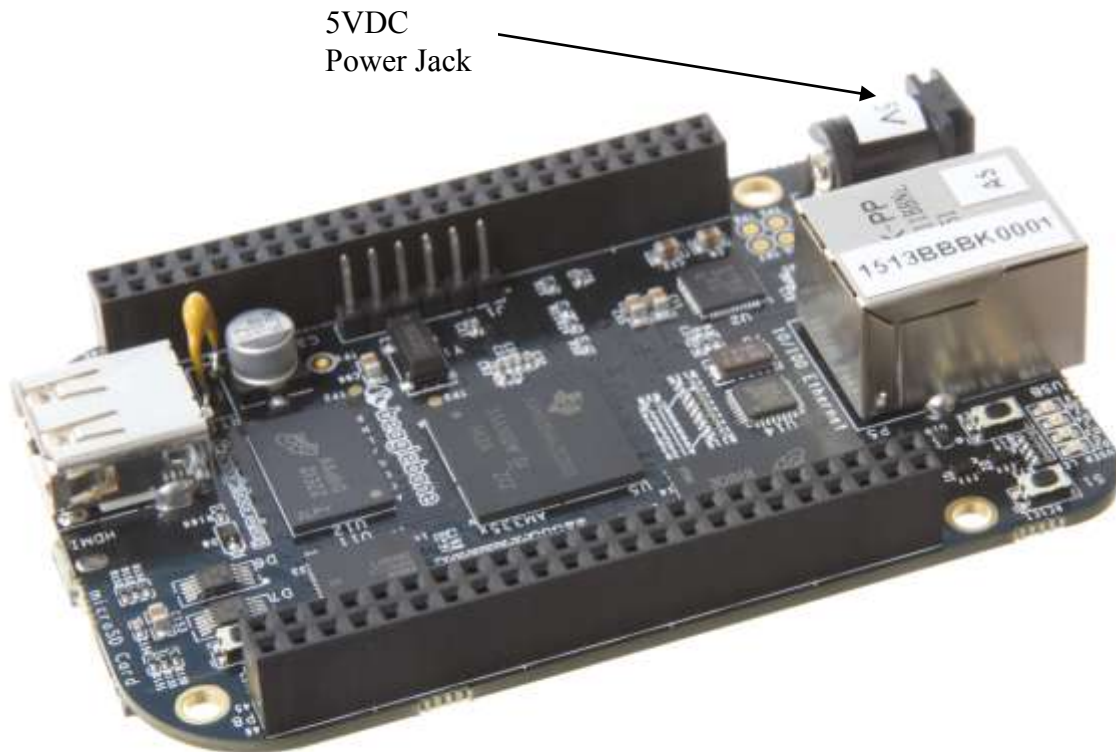


Figure 45. 5VDC Power Jack

The board requires a regulated 5VDC ± 0.25 V supply at 1A. A higher current rating may be needed if capes are plugged into the expansion headers.

7.3 USB Client

The USB Client connector is accessible on the bottom side of the board under the row of four LEDs as shown in **Figure 46**. It uses a 5 pin miniUSB cable, the same as is used on the original BeagleBone. The cable is provided with the board. The cable can also be used to power the board.

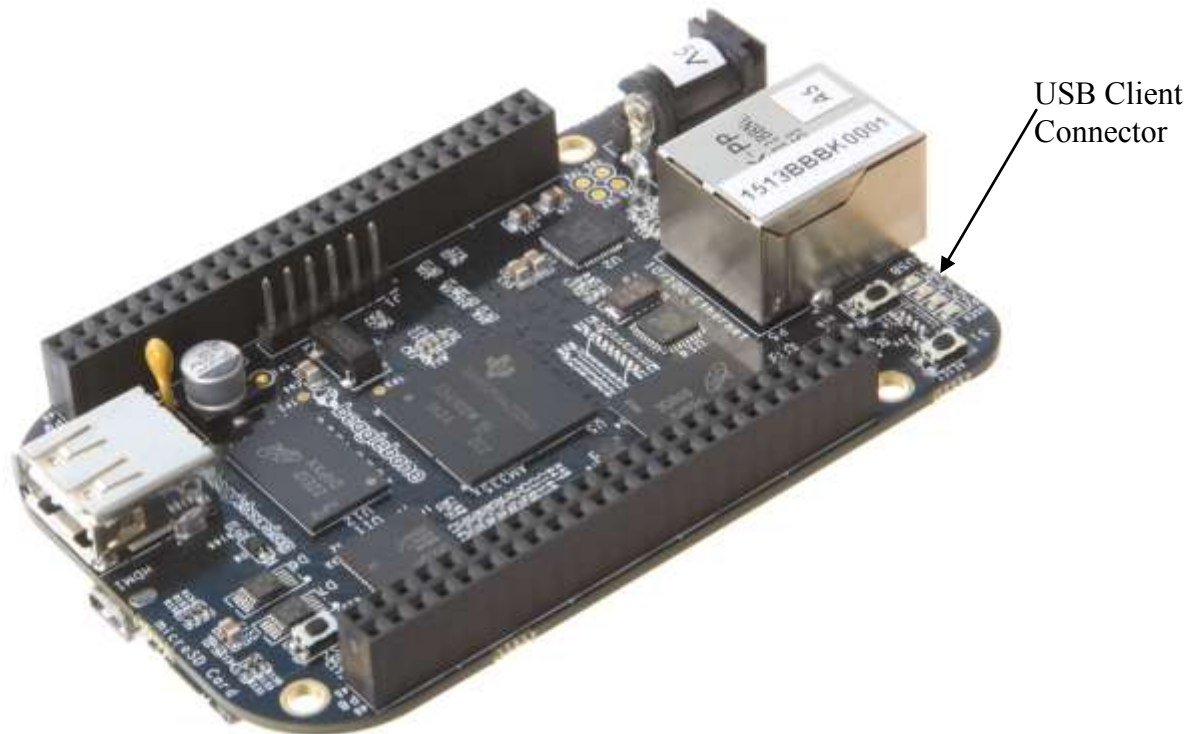


Figure 46. USB Client Connector

This port is a USB Client only interface and is intended for connection to a PC.

7.4 USB Host

There is a single USB Host connector on the board and is shown in **Figure 47** below.

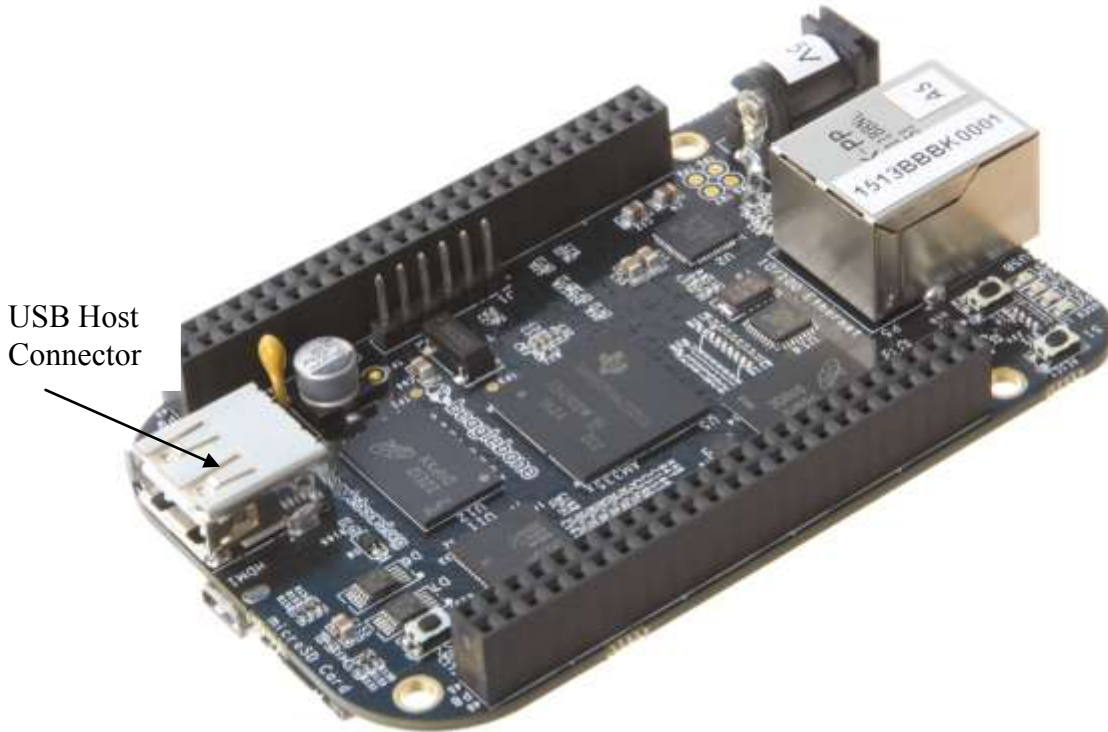


Figure 47. USB Host Connector

The port is USB 2.0 HS compatible and can supply up to 500mA of current. If more current or ports is needed, then a HUB can be used.

7.5 Serial Header

Each board has a debug serial interface that can be accessed by using a special serial cable that is plugged into the serial header as shown in **Figure 48** below.

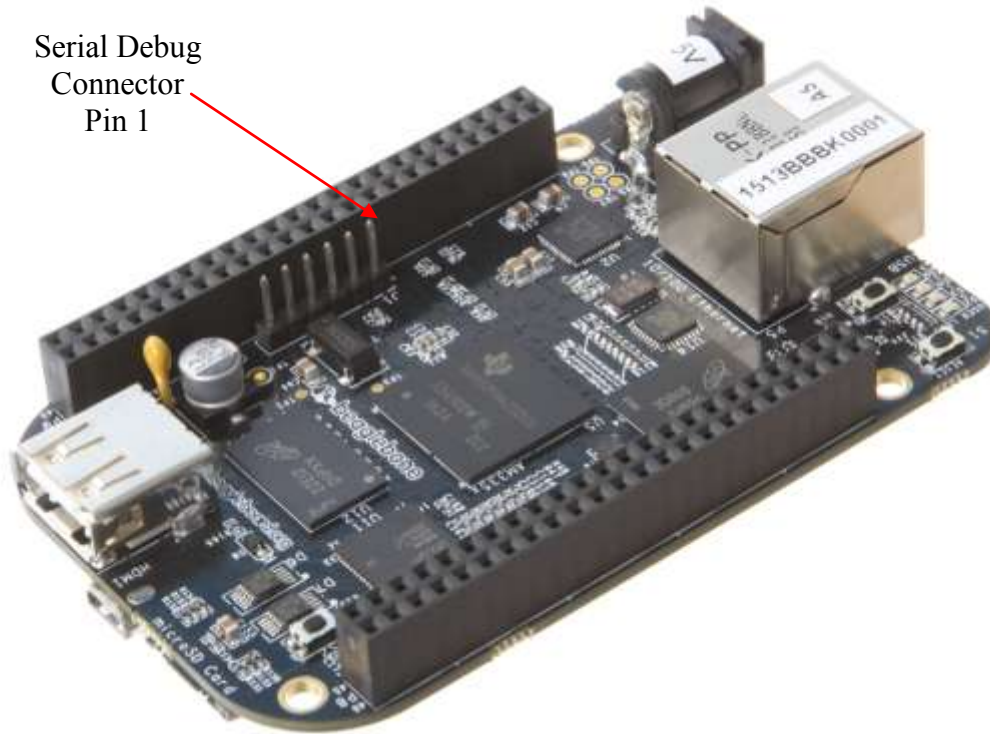


Figure 48. Serial Debug Header

Two signals are provided, TX and RX on this connector. The levels on these signals are 3.3V. In order to access these signals, a FTDI USB to Serial cable is recommended as shown in **Figure 49** below.



Figure 49. FTDI USB to Serial Adapter

The cable can be purchased from several different places and must be the 3.3V version TTL-232R-3V3. Information on the cable itself can be found direct from FTDI at:

http://www.ftdichip.com/Support/Documents/DataSheets/Cables/DS_TTL-232R_CABLES.pdf

Pin 1 of the cable is the black wire. That must align with the pin 1 on the board which is designated by the white dot on the PCB.

Refer to the support WIKI <http://circuitco.com/support/index.php?title=BeagleBoneBlack> for more sources of this cable and other options that will work.

7.6 HDMI

Access to the HDMI interface is through the HDMI connector that is located on the bottom side of the board as shown in **Figure 50** below.

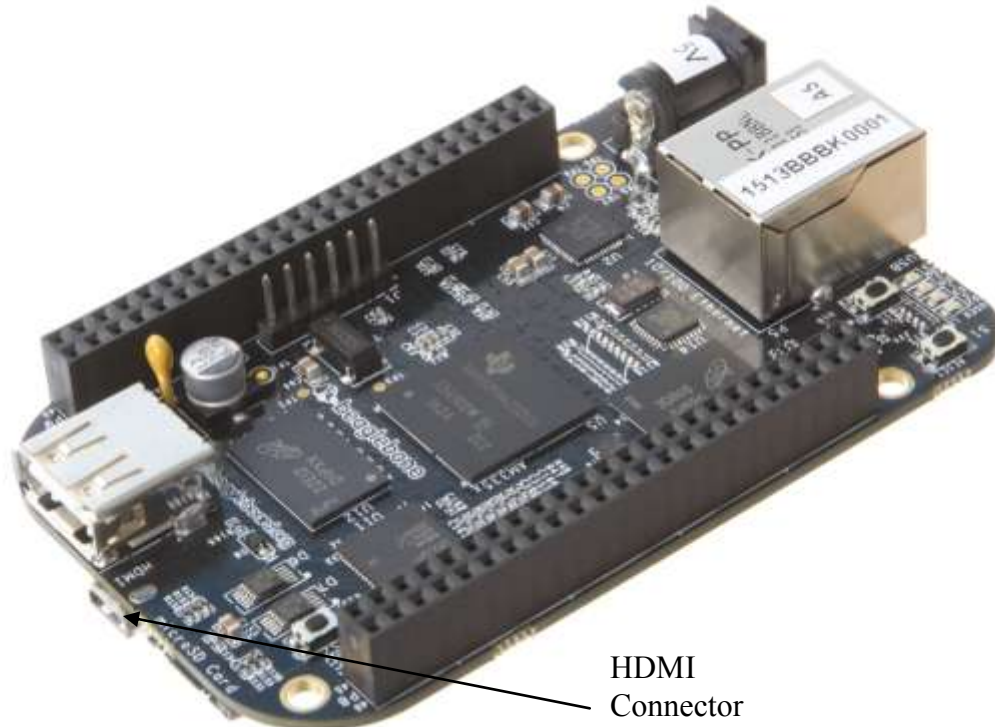


Figure 50. HDMI Connector

The connector is microHDMI connector. This was done due to the space limitations we had in finding a place to fit the connector. It requires a microHDMI to HDMI cable as shown in **Figure 37** below. The cable can be purchased from several different sources.



Figure 51. HDMI Connector

7.7 microSD

A microSD connector is located on the backside of the board as shown in **Figure 52** below. The SD card is not supplied with the board.

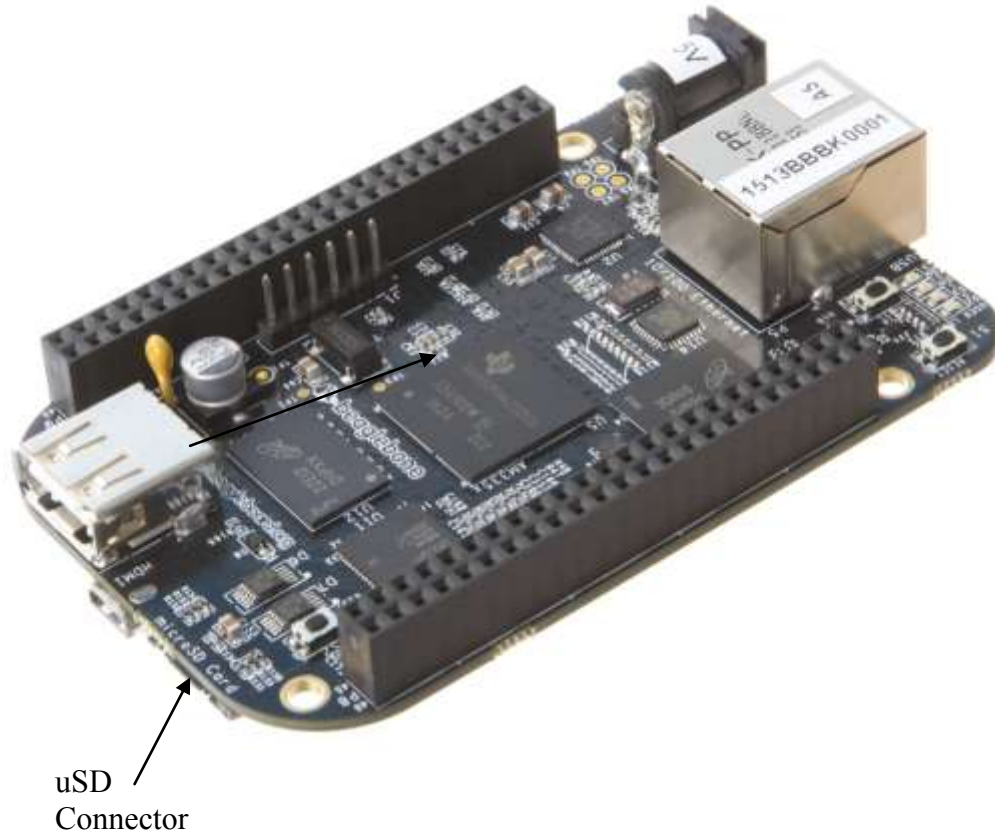


Figure 52. uSD Connector

When plugging in the SD card, the writing on the card should be up. Align the card with the connector and push to insert. Then release. There should be a click and the card will start to eject slightly, but it then should latch into the connector. To eject the card, push the SD card in and then remove your finger. The SD card will be ejected from the connector.

Do pull the SD card out or you could damage the connector.

7.8 Ethernet

The board comes with a single 10/100 Ethernet interface located next to the power jack as shown in **Figure 53**.

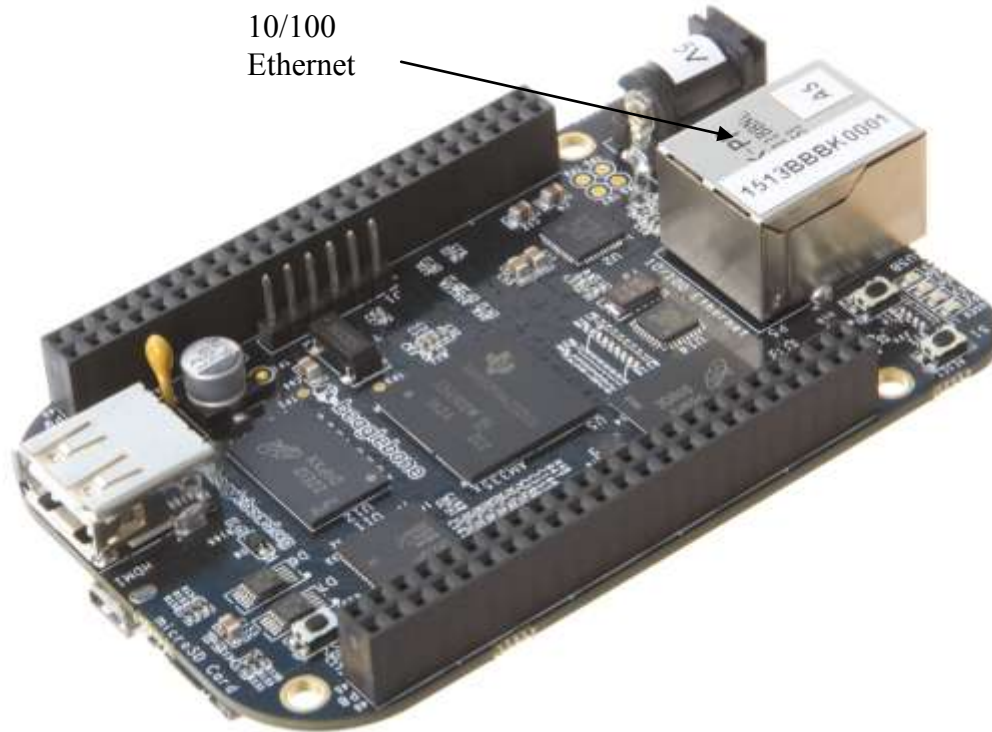


Figure 53. Ethernet Connector

The PHY supports AutoMDX which means either a straight or a swap cable can be used.

8.0 Cape Board Support

The BeagleBone Black has the ability to accept up to four expansion boards or capes that can be stacked onto the expansion headers. The word cape comes from the shape of the board as it is fitted around the Ethernet connector on the main board. This notch acts as a key to insure proper orientation of the cape.

This section describes the rules for creating capes to insure proper operation with the BeagleBone Black and proper interoperability with other capes that are intended to co-exist with each other. Co-existence is not a requirement and is in itself, something that is impossible to control or administer. But, people will be able to create capes that operate with other capes that are already available based on public information as it pertains to what pins and features each cape uses. This information will be able to be read from the EEPROM on each cape.

This section is intended as a guideline for those wanting to create their own capes. Its intent is not to put limits on the creation of capes and what they can do, but to set a few basic rules that will allow the SW to administer their operation with the BeagleBone Black. For this reason there is a lot of flexibility in the specification that we hope most people will find liberating and in the spirit of Open Source Hardware. I am sure there are others that would like to see tighter control, more details, more rules and much more order to the way capes are handled.

Over time, this specification will change and be updated, so please refer to the latest version of this manual prior to designing your own capes to get the latest information.

8.1 BeagleBoneBlack Cape Compatibility

The main expansion headers are the same between the BeagleBone and BeagleBone Black. While the pins are the same, some of these pins are now used on the BeagleBone Black. The following sections discuss these pins.

The Power Expansion header was removed from the BeagleBone Black and is not available.

PAY VERY CLOSE ATTENTION TO THIS SECTION AND READ CAREFULLY!!

8.1.1 LCD Pins

The LCD pins are used on the BeagleBone Black to drive the HDMI framer. These signals are listed in **Table 12** below.

Table 12. P8 LCD Conflict Pins

PIN	PROC	NAME	MODE0
27	U5	GPIO2_22	lcd_vsync
28	V5	GPIO2_24	lcd_pclk
29	R5	GPIO2_23	lcd_hsync
30	R6	GPIO2_25	lcd_ac_bias_en
31	V4	UART5_CTSN	lcd_data14
32	T5	UART5_RTSN	lcd_data15
33	V3	UART4_RTSN	lcd_data13
34	U4	UART3_RTSN	lcd_data11
35	V2	UART4_CTSN	lcd_data12
36	U3	UART3_CTSN	lcd_data10
37	U1	UART5_TXD	lcd_data8
38	U2	UART5_RXD	lcd_data9
39	T3	GPIO2_12	lcd_data6
40	T4	GPIO2_13	lcd_data7
41	T1	GPIO2_10	lcd_data4
42	T2	GPIO2_11	lcd_data5
43	R3	GPIO2_8	lcd_data2
44	R4	GPIO2_9	lcd_data3
45	R1	GPIO2_6	lcd_data0
46	R2	GPIO2_7	lcd_data1

If you are using these pins for other functions, there are a few things to keep in mind:

- On the HDMI Framer, these signals are all inputs so the framer will not be driving these pins.
- The HDMI framer will add a load onto these pins.
- There are small filter caps on these signals which could also change the operation of these pins if used for other functions.



- When used for other functions, the HDMI frame cannot be used.
- There is no way to power off the framer as this would result in the framer being powered through these pins which would not be a good idea.

In order to use these pins, the SW will need to reconfigure them to whatever function you need the pins to do. To keep power low, the HDMI framer should be put in a low power mode via the SW using the I2C interface.

8.1.2 eMMC Pins

The BeagleBone Black uses 10 pins to connect to the processor that also connect to the P8 expansion connector. These signals are listed below in **Table 13**.

Table 13. P8 eMMC Conflict Pins

PIN	PROC	NAME	MODE2
11	R12	GPIO1_13	mmc1_dat5
12	T12	GPIO1_12	Mmc1_dat4
13	T10	EHRPWM2B	mmc1_dat1
14	T11	GPIO0_26	mmc1_dat2
15	U13	GPIO1_15	mmc1_dat7
16	V13	GPIO1_14	mmc1_dat6
17	U12	GPIO0_27	mmc1_dat3
19	U10	EHRPWM2A	mmc1_dat0
20	V9	GPIO1_31	mmc1_cmd
21	U9	GPIO1_30	mmc1_clk

If using these pins, several things need to be kept in mind when doing so:

- On the eMMC device, these signals are inputs and outputs.
- The eMMC device will add a load onto these pins.
- When used for other functions, the eMMC cannot be used. This means you must boot from the uSD slot.
- If using these pins, you need to put the eMMC into reset.

On power up, the eMMC is NOT reset. If you hold the Boot button down, this will force a boot from the uSD. This is not convenient when a cape is plugged into the board. There are two solutions to this issue:

1. Wipe the eMMC clean. This will cause the board to default to uSD boot. If you want to use the eMMC later, it can be reprogrammed.
2. You can also tie LCD_DATA2 low on the cape during boot. This will be the same as if you were holding the boot button. However, in order to prevent unforeseen

issues, you need to gate this signal with RESET, when the data is sampled. After reset goes high, the signal should be removed from the pin.

BEFORE the SW reinitializes the pins, it **MUST** put the eMMC in reset. This is done by taking eMMC_RSTn (GPIO1_20) LOW. This pin does not connect to the expansion header and is accessible only on the board.

DO NOT automatically drive any conflicting pin until the SW enables it. This puts the SW in control to insure that the eMMC is in reset before the signals are used from the cape.

8.2 EEPROM

Each cape must have its own EEPROM containing information that will allow the SW to identify the board and to configure the expansion headers pins as needed. The one exception is proto boards intended for prototyping. They may or may not have an EEPROM on them. An EEPROM is required for all capes sold in order for them operate correctly when plugged into the BeagleBone Black.

The address of the EEPROM will be set via either jumpers or a dipswitch on each expansion board. **Figure 54** below is the design of the EEPROM circuit.

The EEPROM used is the same one as is used on the BeagleBone and the BeagleBone Black, a CAT24C256. The CAT24C256 is a 256 kb Serial CMOS EEPROM, internally organized as 32,768 words of 8 bits each. It features a 64-byte page write buffer and supports the Standard (100 kHz), Fast (400 kHz) and Fast-Plus (1 MHz) I2C protocol.

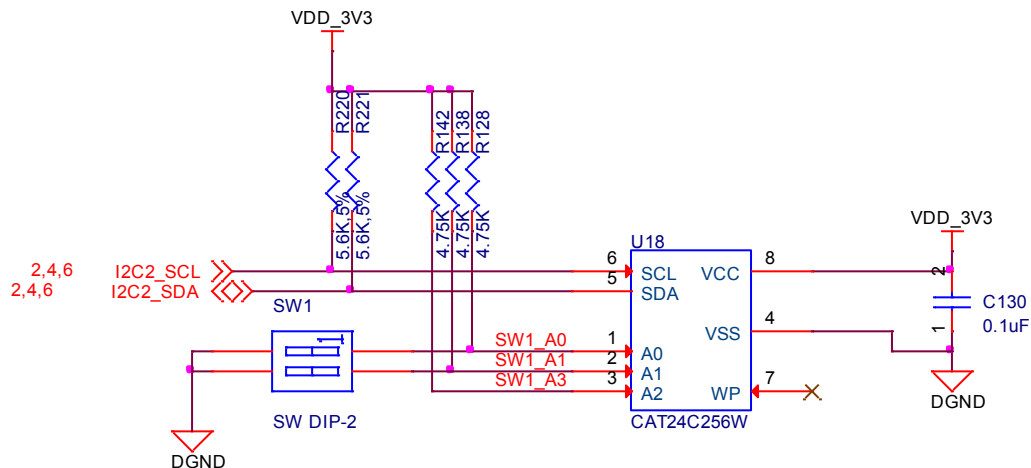


Figure 54. Expansion Board EEPROM Without Write Protect

The addressing of this device requires two bytes for the address which is not used on smaller size EEPROMs, which only require only one byte. Other compatible devices may

be used as well. Make sure the device you select supports 16 bit addressing. The part package used is at the discretion of the cape designer.

8.2.1 EEPROM Address

In order for each cape to have a unique address, a board ID scheme is used that sets the address to be different depending on the setting of the dipswitch or jumpers on the capes. A two position dipswitch or jumpers is used to set the address pins of the EEPROM.

It is the responsibility of the user to set the proper address for each board and the position in the stack that the board occupies has nothing to do with which board gets first choice on the usage of the expansion bus signals. The process for making that determination and resolving conflicts is left up to the SW and, as of this moment in time, this method is a something of a mystery due t the new Device Tree methodology introduced in the 3.8 kernel.

Address line A2 is always tied high. This sets the allowable address range for the expansion cards to **0x54** to **0x57**. All other I2C addresses can be used by the user in the design of their capes. But, these addresses must not be used other than for the board EEPROM information. This also allows for the inclusion of EEPROM devices on the cape if needed without interfering with this EEPROM. It requires that A2 be grounded on the EEPROM not used for cape identification.

8.2.2 I2C Bus

The EEPROMs on each expansion board are connected to I2C2 on connector P9 pins 19 and 20. For this reason I2C2 must always be left connected and should not be changed by SW to remove it from the expansion header pin mux settings. If this is done, then the system will be unable to detect the capes.

The I2C signals require pullup resistors. Each board must have a 5.6K resistor on these signals. With four capes installed this will be an effective resistance of 1.4K if all capes were installed and all the resistors used were exactly 5.6K. As more capes are added the resistance is reduced to overcome capacitance added to the signals. When no capes are installed the internal pullup resistors must be activated inside the processor to prevent I2C timeouts on the I2C bus.

The I2C2 bus may also be used by capes for other functions such as I/O expansion or other I2C compatible devices that do not share the same address as the cape EEPROM.

8.2.3 EEPROM Write Protect



The design in **Figure 55** has the write protect disabled. If the write protect is not enabled, this does expose the EEPROM to being corrupted if the I2C2 bus is used on the cape and the wrong address written to. It is recommended that a write protection function be implemented and a Test Point be added that when grounded, will allow the EEPROM to be written to. To enable write protect, Pin 7 of the EEPROM should be tied to ground. Whether or not Write Protect is provided is at the discretion of the cape designer.

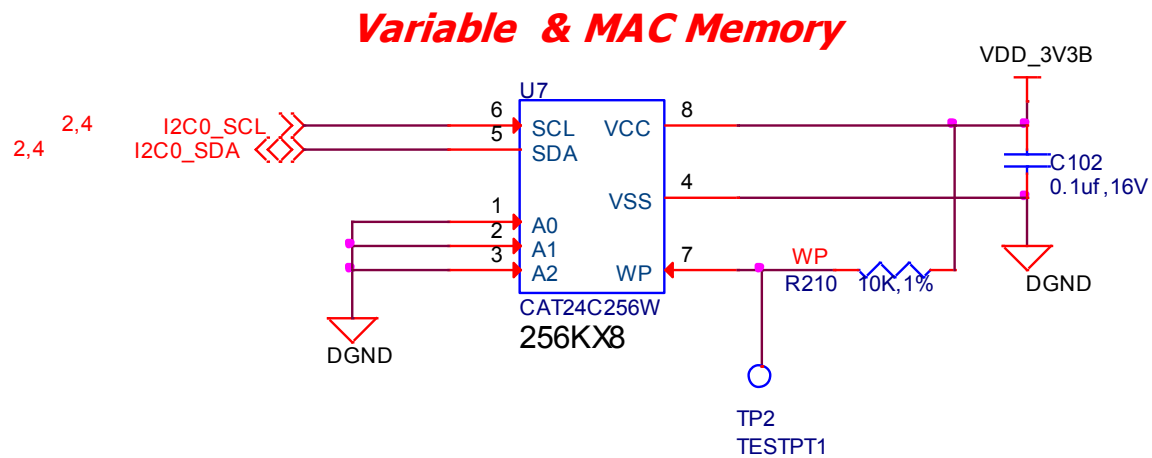


Figure 55. Expansion Board EEPROM Write Protect

8.2.4 EEPROM Data Format

Table 14 shows the format of the contents of the expansion board EEPROM. Data is stored in Big Endian with the least significant value on the right. All addresses read as a single byte data from the EEPROM, but two byte addressing is used. ASCII values are intended to be easily read by the user when the EEPROM contents are dumped.

Table 14. Expansion Board EEPROM

Name	Offset	Size (bytes)	Contents
Header	0	4	0xAA, 0x55, 0x33, 0xEE
EEPROM Revision	4	2	Revision number of the overall format of this EEPROM in ASCII =A1
Board Name	6	32	Name of board in ASCII so user can read it when the EEPROM is dumped. Up to developer of the board as to what they call the board..
Version	38	4	Hardware version code for board in ASCII. Version format is up to the developer. i.e. 02.1...00A1...10A0
Manufacturer	42	16	ASCII name of the manufacturer. Company or individual's name.
Part Number	58	16	ASCII Characters for the part number. Up to maker of the board.
Number of Pins	74	2	Number of pins used by the daughter board including the power pins used. Decimal value of total pins 92 max, stored in HEX.
Serial Number	76	12	Serial number of the board. This is a 12 character string which is: WWYY&&&&nnnn where: WW = 2 digit week of the year of production YY = 2 digit year of production &&&&=Assembly code to let the manufacturer document the assembly number or product. A way to quickly tell from reading the serial number what the board is. Up to the developer to determine. nnnn = incrementing board number for that week of production
Pin Usage	88	148	Two bytes for each configurable pins of the 74 pins on the expansion connectors <u>MSB</u> <u>LSB</u> Bit order: 15 141..0 Bit 15.....Pin is used or not.....0=Unused by cape 1=Used by cape Bit 14-13.....Pin Direction.....1 0=Output 01=Input 11=BDIR Bits 12-7.....Reserved.....should be all zeros Bit 6.....Slew Rate0=Fast 1=Slow Bit 5.....Rx Enable.....0=Disabled 1=Enabled Bit 4.....Pull Up/Dn Select.....0=Pulldown 1=PullUp Bit 3.....Pull Up/DN enabled.....0=Enabled 1=Disabled Bits 2-0Mux Mode Selection.....Mode 0-7
VDD_3V3B Current	236	2	Maximum current in milliamps. This is HEX value of the current in decimal 1500mA=0x05 0xDC 325mA=0x01 0x45
VDD_5V Current	238	2	Maximum current in milliamps. This is HEX value of the current in decimal 1500mA=0x05 0xDC 325mA=0x01 0x45
SYS_5V Current	240	2	Maximum current in milliamps. This is HEX value of the current in decimal 1500mA=0x05 0xDC 325mA=0x01 0x45
DC Supplied	242	2	Indicates whether or not the board is supplying voltage on the VDD_5V rail and the current rating 000=No 1-0xFFFF is the current supplied storing the decimal equivalent in HEX format
Available	244	32543	Available space for other non-volatile codes/data to be used as needed by the manufacturer or SW driver. Could also store presets for use by SW.

8.2.5 Pin Usage

Table 15 is the locations in the EEPROM to set the I/O pin usage for the cape. It contains the value to be written to the Pad Control Registers. Details on this can be found in section **9.2.2** of the **AM335x Technical Reference Manual**. The table is left blank as a convenience and can be printed out and used as a template for creating a custom setting for each cape. The 16 bit integers and all 16 bit fields are to be stored in Big Endian format.

Bit 15 PIN USAGE is an indicator and should be a **1** if the pin is used or **0** if it is unused.

Bits 14-7 RESERVED is not to be used and left as **0**.

Bit 6 SLEW CONTROL **0**=Fast **1**=Slow

Bit 5 RX Enabled **0**=Disabled **1**=Enabled

Bit 4 PU/PD **0**=Pulldown **1**=Pullup.

Bit 3 PULLUP/DN **0**=Pullup/pulldown enabled
 1= Pullup/pulldown disabled

Bit 2-0 MUX MODE SELECT Mode 0-7. (refer to TRM)

Refer to the TRM for proper settings of the pin MUX mode based on the signal selection to be used.

The **AIN0-6** pins do not have a pin mux setting, but they need to be set to indicate if each of the pins is used on the cape. Only bit 15 is used for the AIN signals.

			15	14	13	12	11	10	9	8	7	6	5	4	3	2	1	0	
Off set	Conn	Name	Pin Usage	Type	Reserved								S L E W	R X	P U - P D	P U / D E N	Mux Mode		
154	P9-23	GPIO1_17																	
156	P9-14	EHRPWM1A																	
158	P9-16	EHRPWM1B																	
160	P9-12	GPIO1_28																	
162	P8-26	GPIO1_29																	
164	P8-21	GPIO1_30																	
166	P8-20	GPIO1_31																	
168	P8-18	GPIO2_1																	
170	P8-7	TIMER4																	
172	P8-9	TIMER5																	
174	P8-10	TIMER6																	
176	P8-8	TIMER7																	
178	P8-45	GPIO2_6																	
180	P8-46	GPIO2_7																	
182	P8-43	GPIO2_8																	
184	P8-44	GPIO2_9																	
186	P8-41	GPIO2_10																	
188	P8-42	GPIO2_11																	
190	P8-39	GPIO2_12																	
192	P8-40	GPIO2_13																	
194	P8-37	UART5_TXD																	
196	P8-38	UART5_RXD																	
198	P8-36	UART3_CTSN																	
200	P8-34	UART3_RTSN																	
202	P8-27	GPIO2_22																	
204	P8-29	GPIO2_23																	
206	P8-28	GPIO2_24																	
208	P8-30	GPIO2_25																	
210	P9-29	SPI1_D0																	
212	P9-30	SPI1_D1																	
214	P9-28	SPI1_CS0																	
216	P9-27	GPIO3_19																	
218	P9-31	SPI1_SCLK																	
220	P9-25	GPIO3_21																	

			15	14	13	12	11	10	9	8	7	6	5	4	3	2	1	0	
Off set	Conn	Name	Pin Usage	Type		Reserved						S L E W	R X	P U - P D	P U / D E N	Mux Mode			
				0	0	0	0	0	0	0	0	0	0	0	0	0	0	0	
222	P8-39	AIN0																	
224	P8-40	AIN1																	
226	P8-37	AIN2																	
228	P8-38	AIN3																	
230	P9-33	AIN4																	
232	P8-36	AIN5																	
234	P9-35	AIN6																	

8.3 Pin Usage Consideration

This section covers things to watch for when hooking up to certain pins on the expansion headers.

8.3.1 Boot Pins

There are 16 pins that control the boot mode of the processor that are exposed on the expansion headers. **Figure 56** below shows those signals:

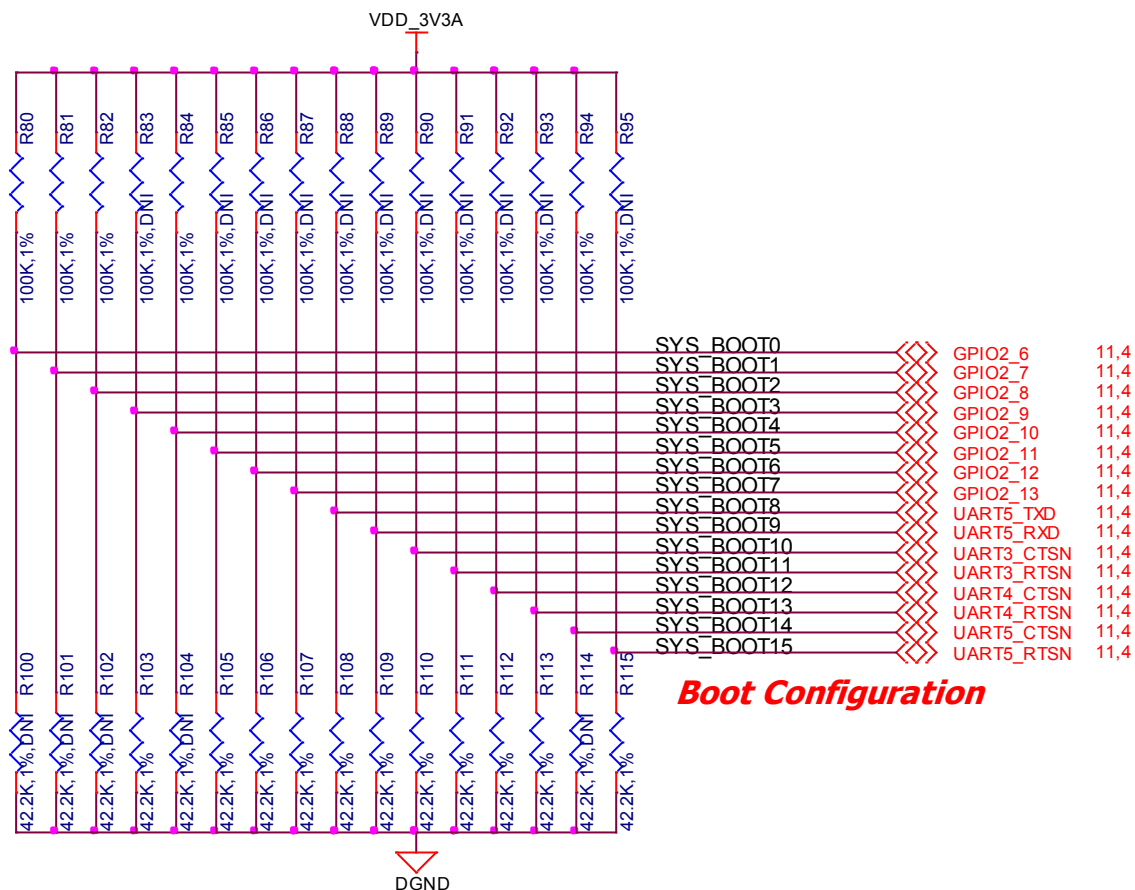


Figure 56. Expansion Boot Pins

If you plan to use any of these signals, then on power up, these pins should not be driven. If you do, it can affect the boot mode of the processor and could keep the processor from booting or working correctly.

If you are designing a cape that is intended to be used as a boot source, such as a NAND board, then you should drive the pins to reconfigure the boot mode, but only at reset. After the reset phase, the signals should not be driven to allow them to be used for the

other functions found on those pins. You will need to override the resistor values in order to change the settings. The DC pull-up requirement should be based on the AM335x V_{ih} min voltage of 2 volts and AM335x maximum input leakage current of 18uA. Also take into account any other current leakage paths on these signals which could be caused by your specific cape design.

The DC pull-down requirement should be based on the AM335x V_{il} max voltage of 0.8 volts and AM335x maximum input leakage current of 18uA plus any other current leakage paths on these signals.

8.4 Expansion Connectors

A combination of male and female headers is used for access to the expansion headers on the main board. There are three possible mounting configurations for the expansion headers:

- Single-no board stacking but can be used on the top of the stack.
- Stacking-up to four boards can be stacked on top of each other.
- Stacking with signal stealing-up to three boards can be stacked on top of each other, but certain boards will not pass on the signals they are using to prevent signal loading or use by other cards in the stack.

The following sections describe how the connectors are to be implemented and used for each of the different configurations.

8.4.1 Non-Stacking Headers-Single Cape

For non-stacking capes single configurations or where the cape can be the last board on the stack, the two 46 pin expansion headers use the same connectors. **Figure 57** is a picture of the connector. These are dual row 23 position 2.54mm x 2.54mm connectors.

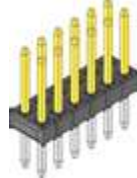


Figure 57. Single Expansion Connector

The connector is typically mounted on the bottom side of the board as shown in **Figure 58**. These are very common connectors and should be easily located. You can also use two single row 23 pin headers for each of the dual row headers.

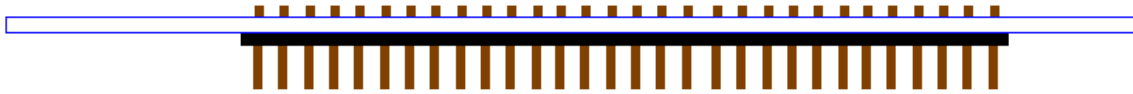


Figure 58. Single Cape Expansion Connector

It is allowed to only populate the pins you need. As this is a non-stacking configuration, there is no need for all headers to be populated. This can also reduce the overall cost of the cape. This decision is up to the cape designer.

For convenience listed in **Table 16** are some possible choices for part numbers on this connector. They have varying pin lengths and some may be more suitable than others for your use. It should be noted, that the longer the pin and the further it is inserted into the BeagleBone Black connector, the harder it will be to remove due to the tension on 92 pins. This can be minimized by using shorter pins or removing those pins that are not used by your particular design. The first item in **Table 16** is on the edge and may not be the best solution. Overhang is the amount of the pin that goes past the contact point of the connector on the BeagleBone Black

Table 16. Single Cape Connectors

SUPPLIER	PARTNUMBER	TAIL LENGTH(in)	OVERHANG(in)
Major League	TSHC-123-D-03-145-G-LF	.145	.004
Major League	TSHC-123-D-03-240-G-LF	.240	.099
Major League	TSHC-123-D-03-255-G-LF	.255	.114

The G in the part number is a plating option. Other options may be used as well as long as the contact area is gold. Other possible sources are Sullins and Samtec for these connectors. You will need to insure the depth into the connector is sufficient

8.4.2 Main Expansion Headers-Stacking

For stacking configuration, the two 46 pin expansion headers use the same connectors. **Figure 59** is a picture of the connector. These are dual row 23 position 2.54mm x 2.54mm connectors.



Figure 59. Expansion Connector

The connector is mounted on the top side of the board with longer tails to allow insertion into the BeagleBone Black. **Figure 60** is the connector configuration for the connector.



Figure 60. Stacked Cape Expansion Connector

For convenience listed in **Table 18** are some possible choices for part numbers on this connector. They have varying pin lengths and some may be more suitable than others for your use. It should be noted, that the longer the pin and the further it is inserted into the BeagleBone Black connector, the harder it will be to remove due to the tension on 92 pins. This can be minimized by using shorter pins. There are most likely other suppliers out there that will work for this connector as well. If anyone finds other suppliers of compatible connectors that work, let us know and they will be added to this document. The first item in **Table 13** is on the edge and may not be the best solution. Overhang is the amount of the pin that goes past the contact point of the connector on the BeagleBone Black.

The third part listed in **Table 17** will have insertion force issues.

Table 17. Stacked Cape Connectors

SUPPLIER	PARTNUMBER	TAIL LENGTH(in)	OVERHANG(mm)
Major League	SSHQ-123-D-06-G-LF	.190	0.049
Major League	SSHQ-123-D-08-G-LF	.390	0.249
Major League	SSHQ-123-D-10-G-LF	.560	0.419

There are also different plating options on each of the connectors above. Gold plating on the contacts is the minimum requirement. If you choose to use a different part number for plating or availability purposes, make sure you do not select the “LT” option. Other possible sources are Sullins and Samtec but make sure you select one that has the correct mating depth.

8.4.3 Stacked Capes w/Signal Stealing

Figure 61 is the connector configuration for stackable capes that does not provide all of the signals upwards for use by other boards. This is useful if there is an expectation that other boards could interfere with the operation of your board by exposing those signals for expansion. This configuration consists of a combination of the stacking and non-stacking style connectors.

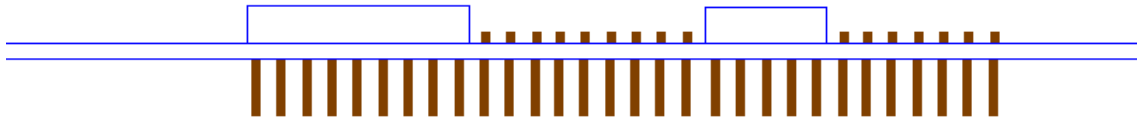


Figure 61. Stacked w/Signal Stealing Expansion Connector

8.4.4 Retention Force

The length of the pins on the expansion header has a direct relationship to the amount of force that is used to remove a cape from the BeagleBone Black. The longer the pins extend into the connector the harder it is to remove. There is no rule that says that if longer pins are used, that the connector pins have to extend all the way into the mating connector on the BeagleBone Black, but this is controlled by the user and therefore is hard to control.

This section will attempt to describe the tradeoffs and things to consider when selecting a connector and its pin length.

8.4.5 BeagleBone Black Female Connectors

Figure 62 shows the key measurements used in calculating how much the pin extends past the contact point on the connector, what we call overhang.

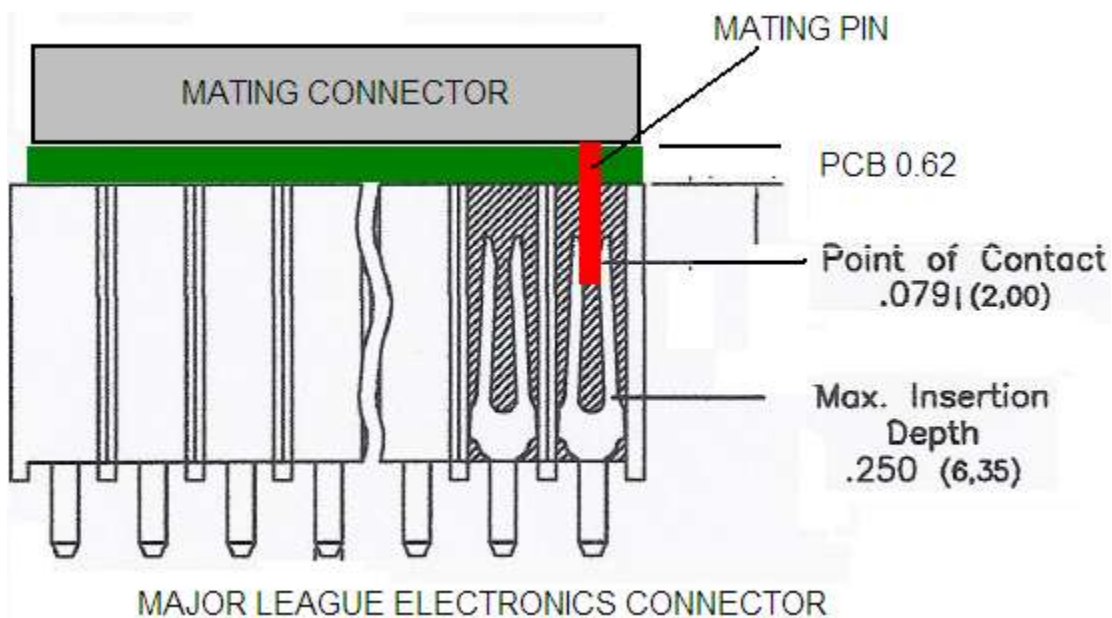


Figure 62. Connector Pin Insertion Depth

To calculate the amount of the pin that extends past the Point of Contact, use the following formula:

$$\text{Overhang} = \text{Total Pin Length} - \text{PCB thickness (.062)} - \text{contact point (.079)}$$

The longer the pin extends past the contact point, the more force it will take to insert and remove the board. Removal is a greater issue than the insertion.

8.5 Signal Usage

Based on the pin muxing capabilities of the processor, each expansion pin can be configured for different functions. When in the stacking mode, it will be up to the user to insure that any conflicts are resolved between multiple stacked cards. When stacked, the first card detected will be used to set the pin muxing of each pin. This will prevent other modes from being supported on stacked cards and may result in them being inoperative.

In **Section 7.1** of this document, the functions of the pins are defined as well as the pin muxing options. Refer to this section for more information on what each pin is. To simplify things, if you use the default name as the function for each pin and use those functions, it will simplify board design and reduce conflicts with other boards.

Interoperability is up to the board suppliers and the user. This specification does not specify a fixed function on any pin and any pin can be used to the full extent of the functionality of that pin as enabled by the processor.

8.6 Cape Power

This section describes the power rails for the capes and their usage.

8.6.1 Main Board Power

The **Table 18** describes the voltages from the main board that are available on the expansion connectors and their ratings. All voltages are supplied by connector **P9**. The current ratings listed are per pin.

Table 18. Expansion Voltages

Current	Name	P9		Name	Current
	GND	1	2	GND	
250mA	VDD_3V3B	3	4	VDD_3V3B	250mA
1000mA	VDD_5V	5	6	VDD_5V	1000mA
250mA	SYS_5V	7	8	SYS_5V	250mA
		:	:		
	GND	43	44	GND	
	GND	45	46	GND	



The **VDD_3V3B** rail is supplied by the LDO on the BeagleBone Black and is the primary power rail for expansion boards. If the power requirement for the capes exceeds the current rating, then locally generated voltage rail can be used. It is recommended that this rail be used to power any buffers or level translators that may be used.

VDD_5V is the main power supply from the DC input jack. This voltage is not present when the board is powered via USB. The amount of current supplied by this rail is dependent upon the amount of current available. Based on the board design, this rail is limited to 1A per pin from the main board.

The **SYS_5V** rail is the main rail for the regulators on the main board. When powered from a DC supply or USB, this rail will be 5V. The available current from this rail depends on the current available from the USB and DC external supplies.

8.6.2 Expansion Board External Power

A cape can have a jack or terminals to bring in whatever voltages may be needed by that board. Care should be taken not to let this voltage feedback into any of the expansion header pins.

It is possible to provide 5V to the main board from an expansion board. By supplying a 5V signal into the **VDD_5V** rail, the main board can be supplied. This voltage must not exceed 5V. You should not supply any voltage into any other pin of the expansion connectors. Based on the board design, this rail is limited to 1A per pin to the BeagleBone Black.

8.7 Mechanical

This section provides the guidelines for the creation of expansion boards from a mechanical standpoint. Defined is a standard board size that is the same profile as the BeagleBone Black. It is expected that the majority of expansion boards created will be of standard size. It is possible to create boards of other sizes and in some cases this is required, as in the case of an LCD larger than the BeagleBone Black board.

8.7.1 Standard Cape Size

Figure 63 is the outline of the standard cape. The dimensions are in inches.

8.7.3 Enclosures

There are numerous enclosures being created in all different sizes and styles. The mechanical design of these enclosures is not being defined by this specification.

The ability of these designs to handle all shapes and sizes of capes, especially when you consider up to four can be mounted with all sorts of interface connectors, it is difficult to define a standard enclosure that will handle all capes already made and those yet to be defined.

If cape designers want to work together and align with one enclosure and work around it that is certainly acceptable. But we will not pick winners and we will not do anything that impedes the openness of the platform and the ability of enclosure designers and cape designers to innovate and create new concepts.

9.0 BeagleBone Black Mechanical

9.1 Dimensions and Weight

Size:	3.5" x 2.15" (86.36mm x 53.34mm)
Max height:	.187" (4.76mm)
PCB Layers:	6
PCB thickness:	.062"
RoHS Compliant:	Yes
Weight:	1.4 oz

9.2 Silkscreen and Component Locations

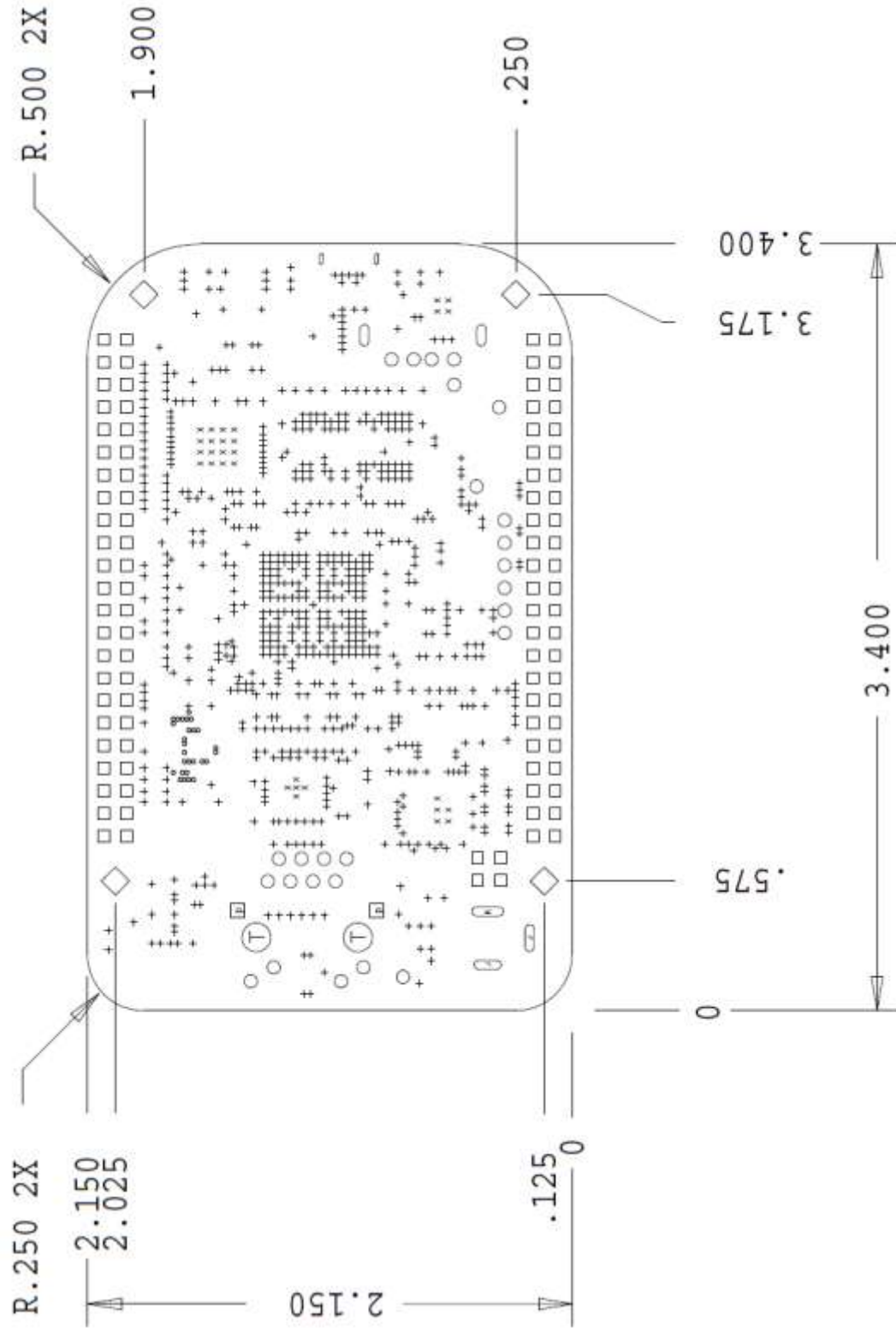


Figure 64. Board Dimensions

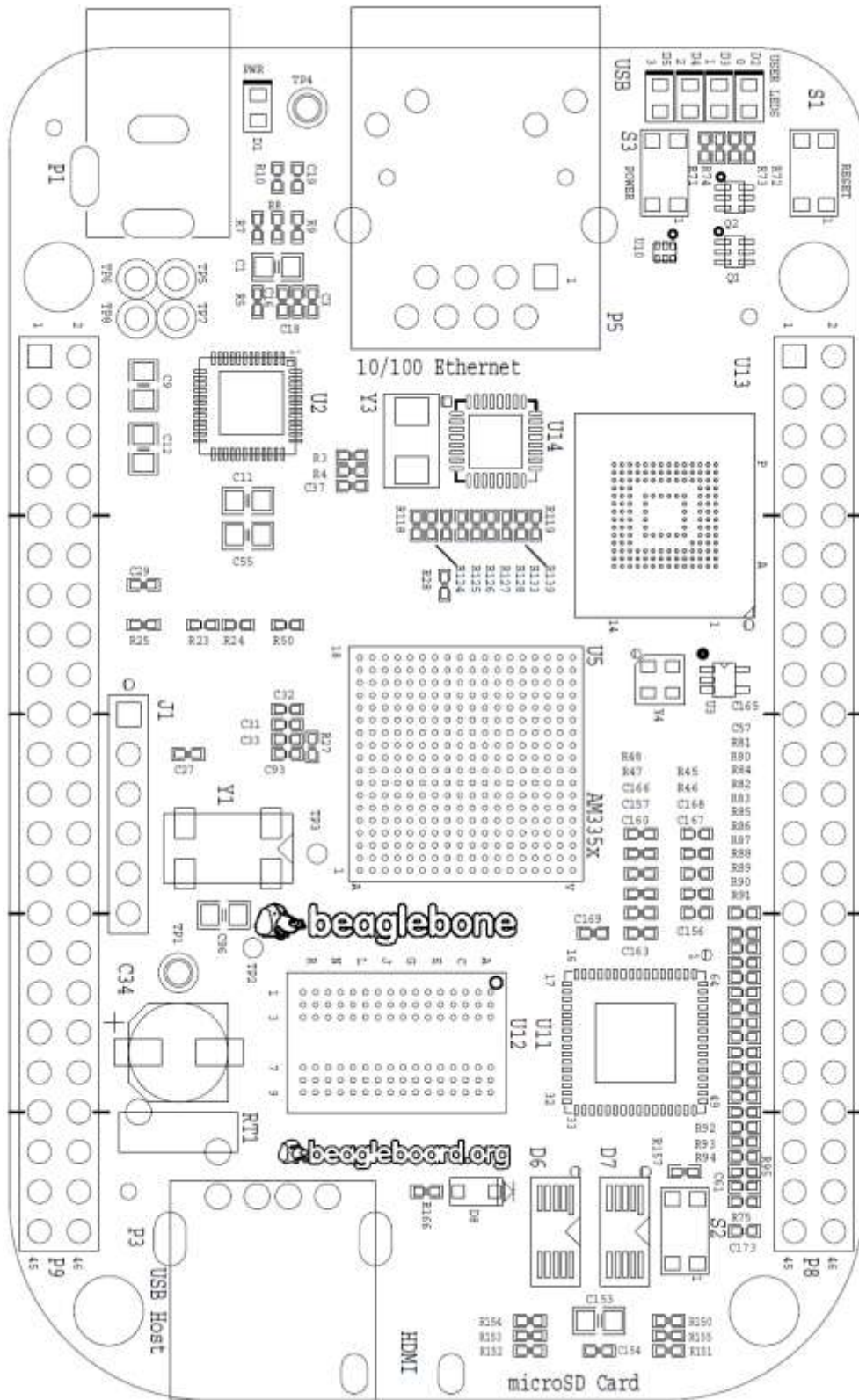


Figure 65. Component Side Silkscreen

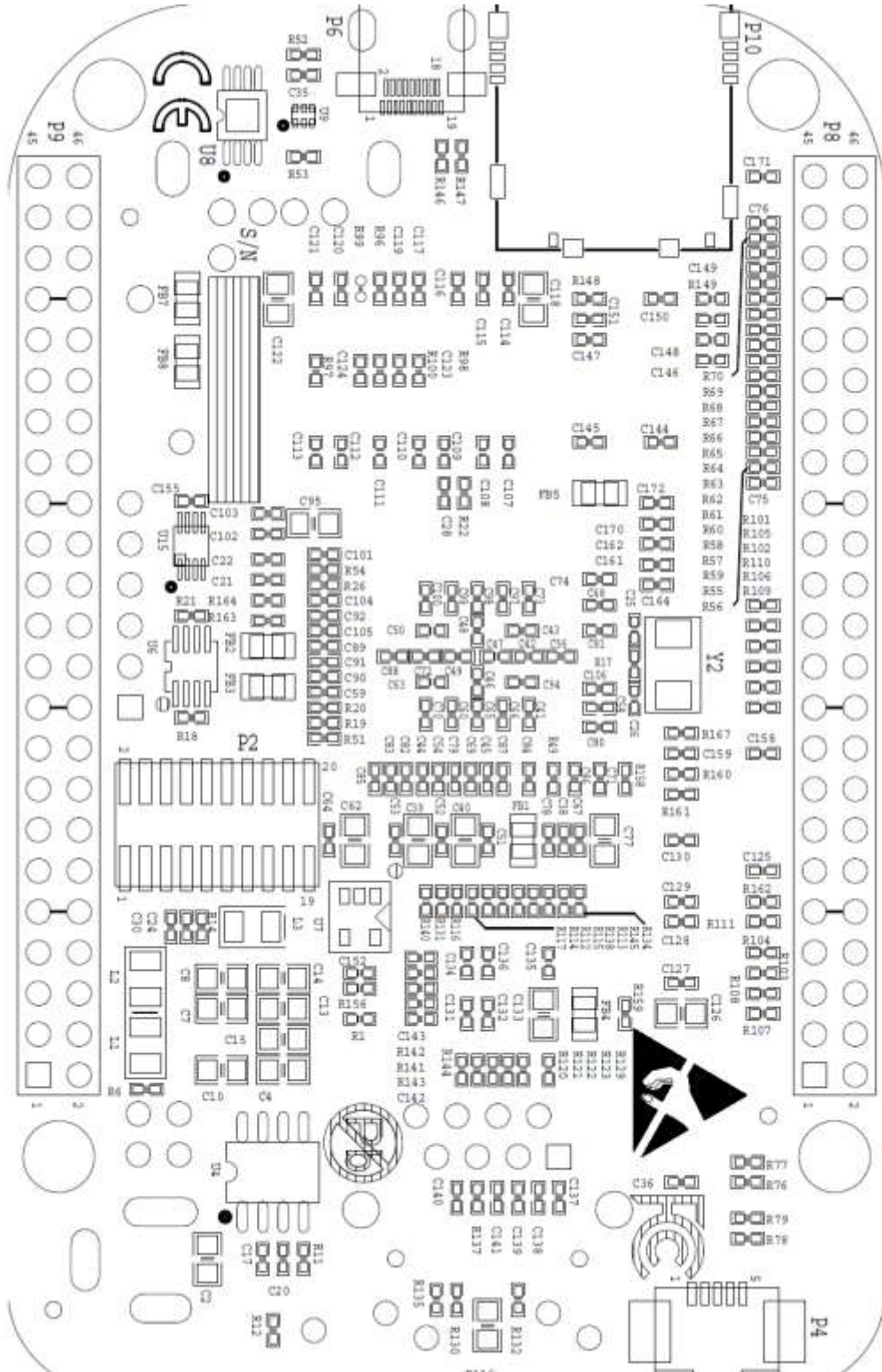


Figure 66. Component Side Silkscreen

10.0 Pictures

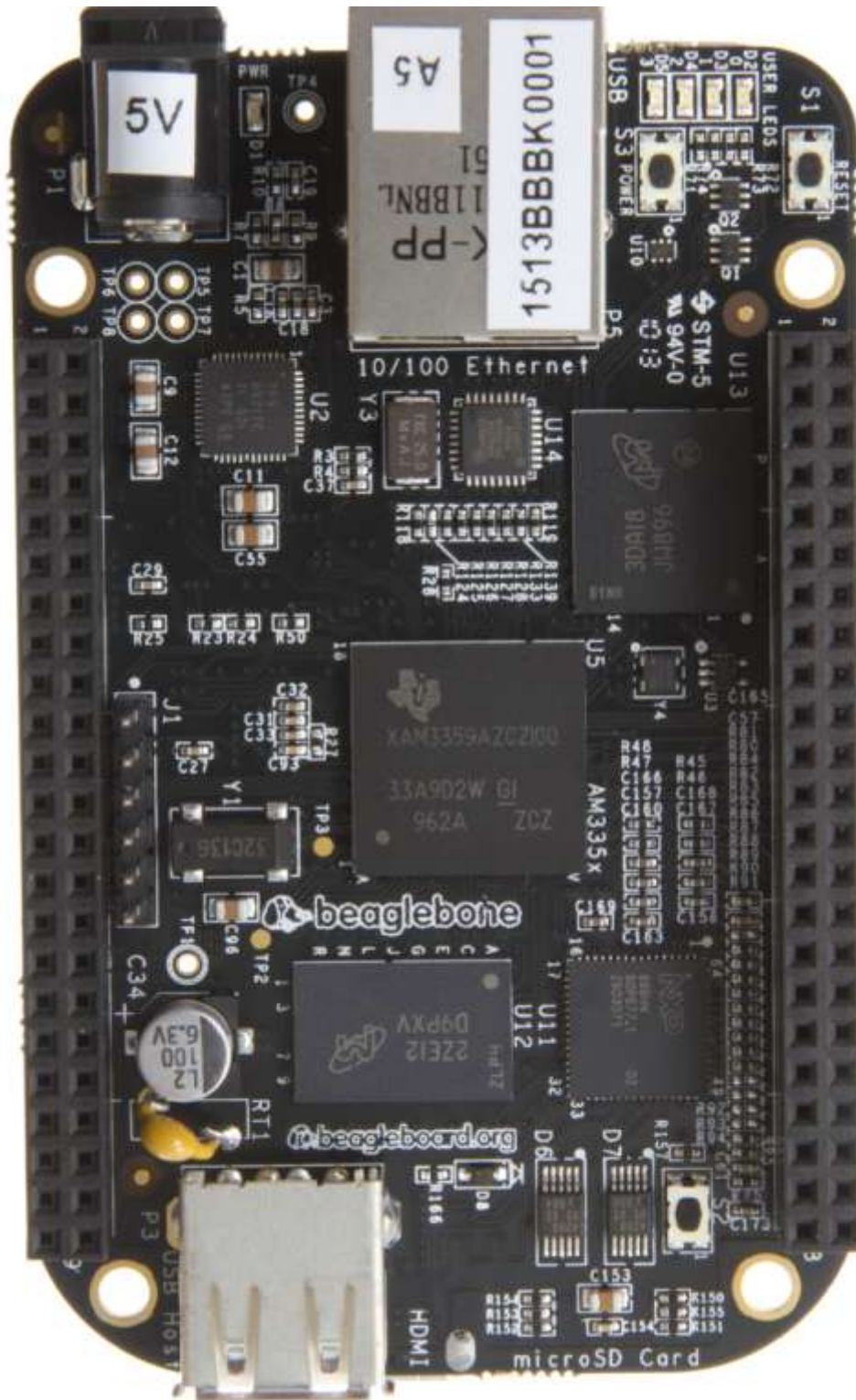


Figure 67. Top Side

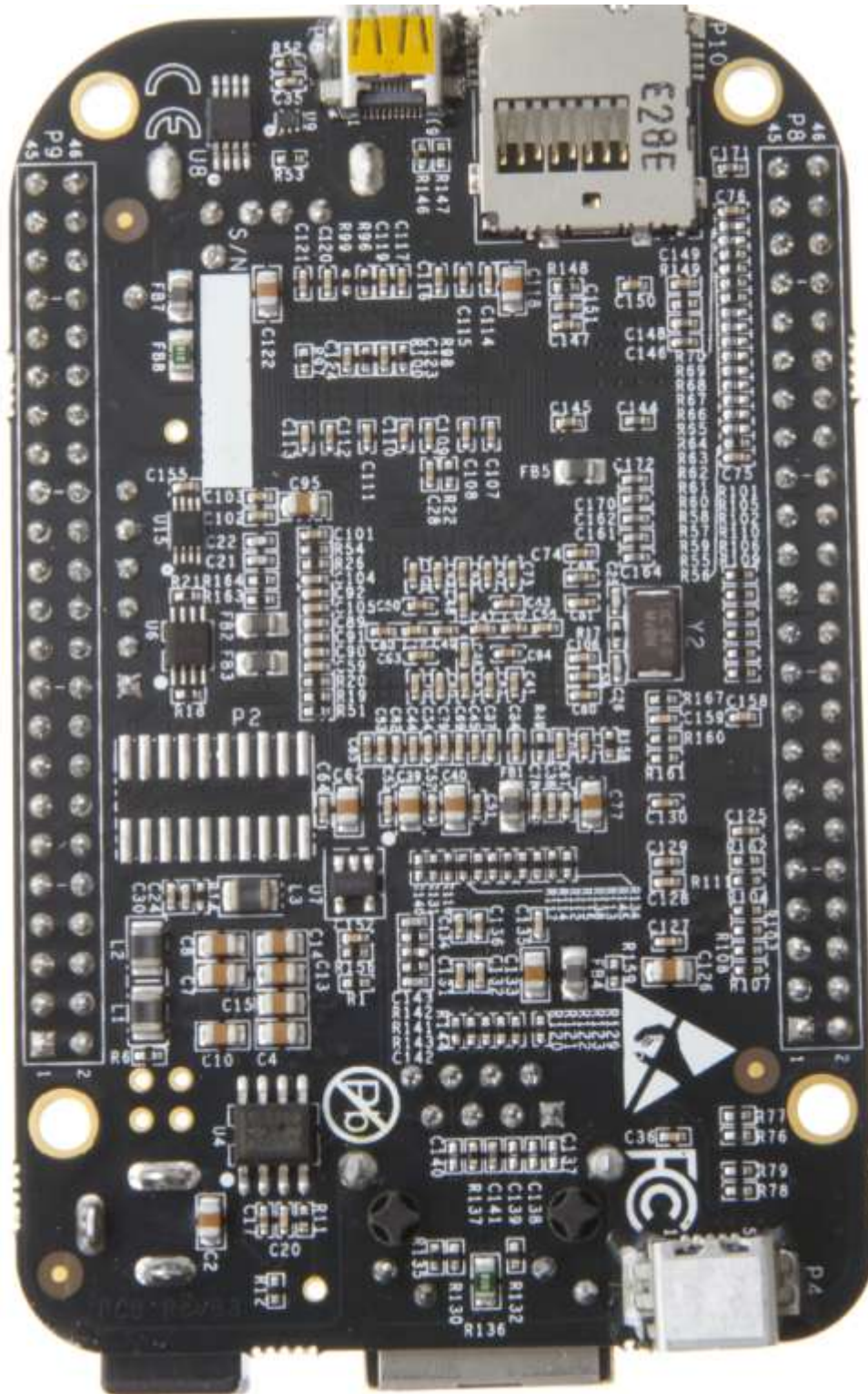


Figure 68. Bottom Side

11.0 Support Information

All support for this design is through the BeagleBoard.org community at:

beagleboard@googlegroups.com

or

<http://beagleboard.org/discuss> .

11.1 Hardware Design

Design information can be found on the SD card that ships with board under the documents/hardware directory when connected using the USB cable. Provided there is:

- Schematic in PDF
- Schematic in OrCAD (Cadence Design Entry CIS 16.3)
- PCB Gerber
- PCB Layout File (Allegro)
- Bill of Material
- System Reference Manual (This document).

You can also download the files from <http://beagleboard.org/hardware/design> or from the Circuitco WIKI at <http://circuitco.com/support/index.php?title=BeagleBoneBlack>

11.2 Software Updates

It is a good idea to always use the latest software. Instructions for how to update your software to the latest version can be found at:

http://circuitco.com/support/index.php?title=BeagleBoneBlack#Updating_the_eMMC_Software

11.3 RMA Support

If you feel your board is defective or has issues, request an RMA by filling out the form at <http://beagleboard.org/support/rma>. You will need the serial number and revision of the board as shown in the Figure 69 below.

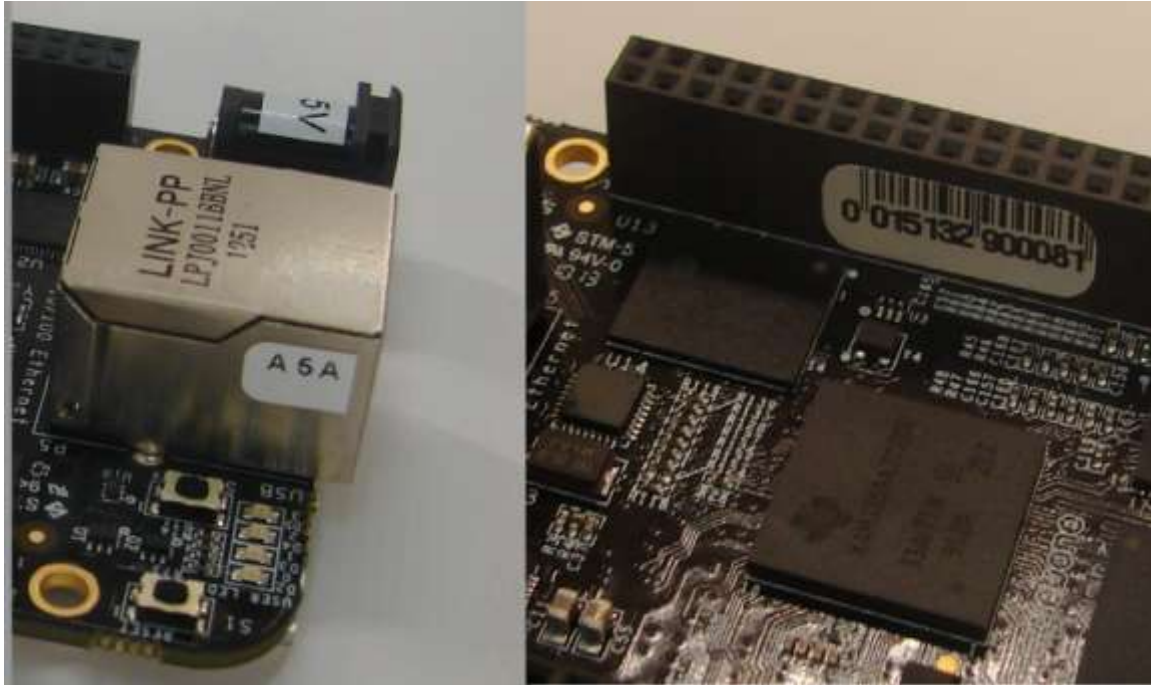


Figure 69. Bottom Side